

# Dust Containment Kit Dust Skirt Replacement Kit

Model: F14 & Speed SQ-14 Orbital Floor Machine



## INSTALLATION INSTRUCTIONS:

**TOOL REQUIRED:**  
Standard Screwdriver

**FOR SAFETY:** Before installing kit, unplug power cord from wall outlet.

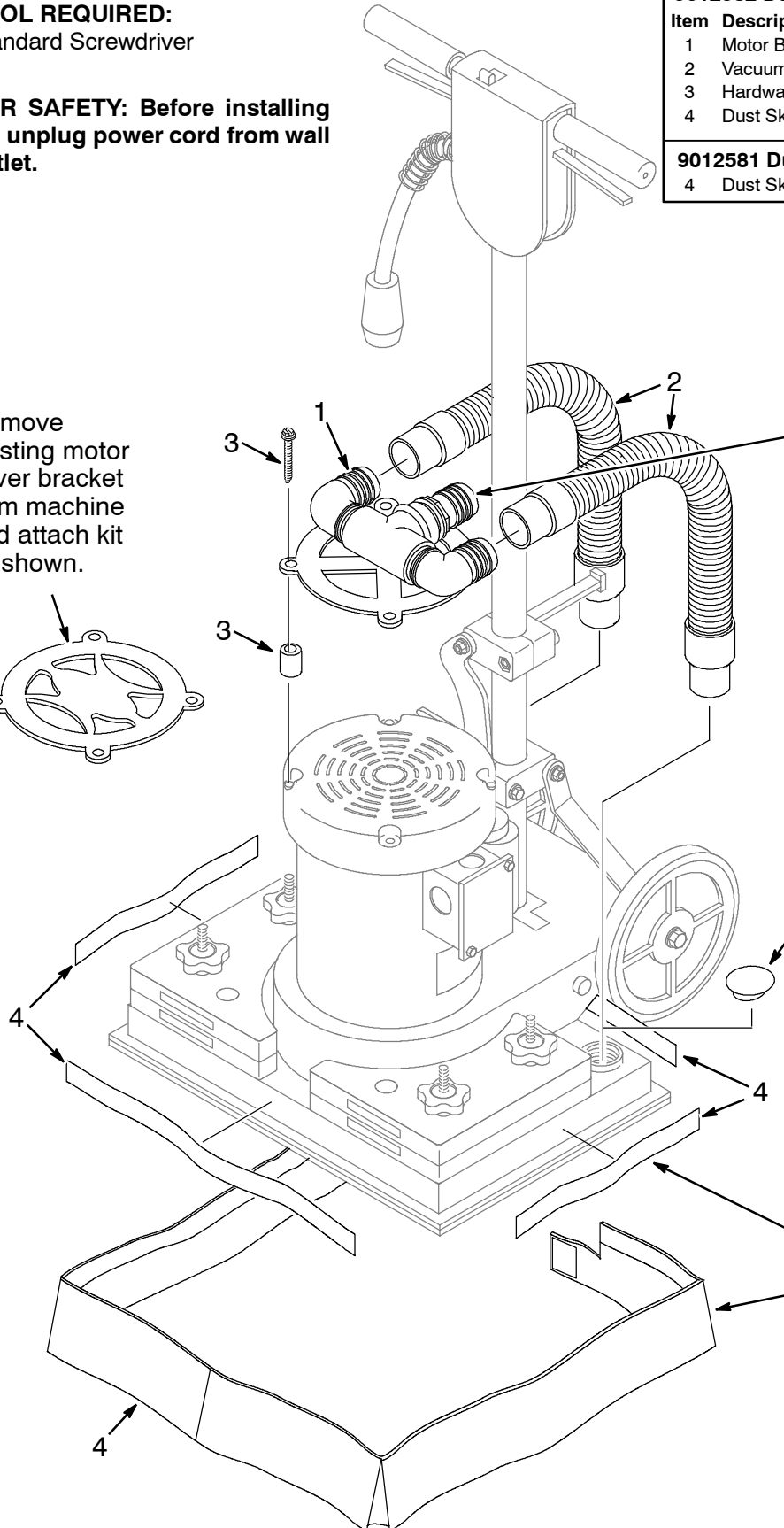
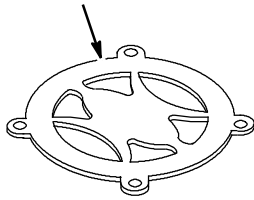
### 9012582 Dust Containment Kit Contents

Item	Description	Qty.
1	Motor Bracket/Vac Hose Connector Assembly	1
2	Vacuum Hose	2
3	Hardware Package (4 screws, 4 spacers)	1
4	Dust Skirt Assembly (includes 4 Velcro Strips)	1

### 9012581 Dust Skirt Replacement Kit Contents

4	Dust Skirt Assembly (includes 4 Velcro Strips)	1
---	--	---

Remove existing motor cover bracket from machine and attach kit as shown.



Using desired vacuum cleaner, canister or backpack, attach its vacuum hose to center hose connection.

Remove two vacuum hose plugs.

### IMPORTANT STEP:

For optimum bonding, thoroughly clean surface with rubbing alcohol before applying Velcro strips to machine. Allow Velcro strips to adhere for 24 hours before attaching skirt.