



# INSTRUCTION BULLETIN

No. 9010945  
Machine: T12  
Published: 07-2014  
Rev. 00

**NOTE: DO NOT DISCARD the Parts List from the Instruction Bulletin. Place the Parts List in the appropriate place in the machine manual for future reference. Retaining the Parts List will make it easier to reorder individual parts and will save the cost of ordering an entire kit.**

*NOTE: Numbers in parenthesis ( ) are reference numbers for parts listed in Bill of Materials.*

Installation instructions for **kit number 9009811**

## SYNOPSIS:

This kit contains the parts needed to install a disk scrub head onto a T12 scrubber.  
Please follow step-by-step instructions.

## SPECIAL TOOLS / CONSIDERATIONS: NONE

(Estimated time to complete: 4 hours)



### PROTECT THE ENVIRONMENT

Please dispose of packaging materials, old machine components, and hazardous fluids in an environmentally safe manner according to local waste disposal regulations.

Always remember to recycle.

## PREPARATION:

1. Park the machine on a clean level surface, completely lower the scrub head, turn off the machine, and remove the key.

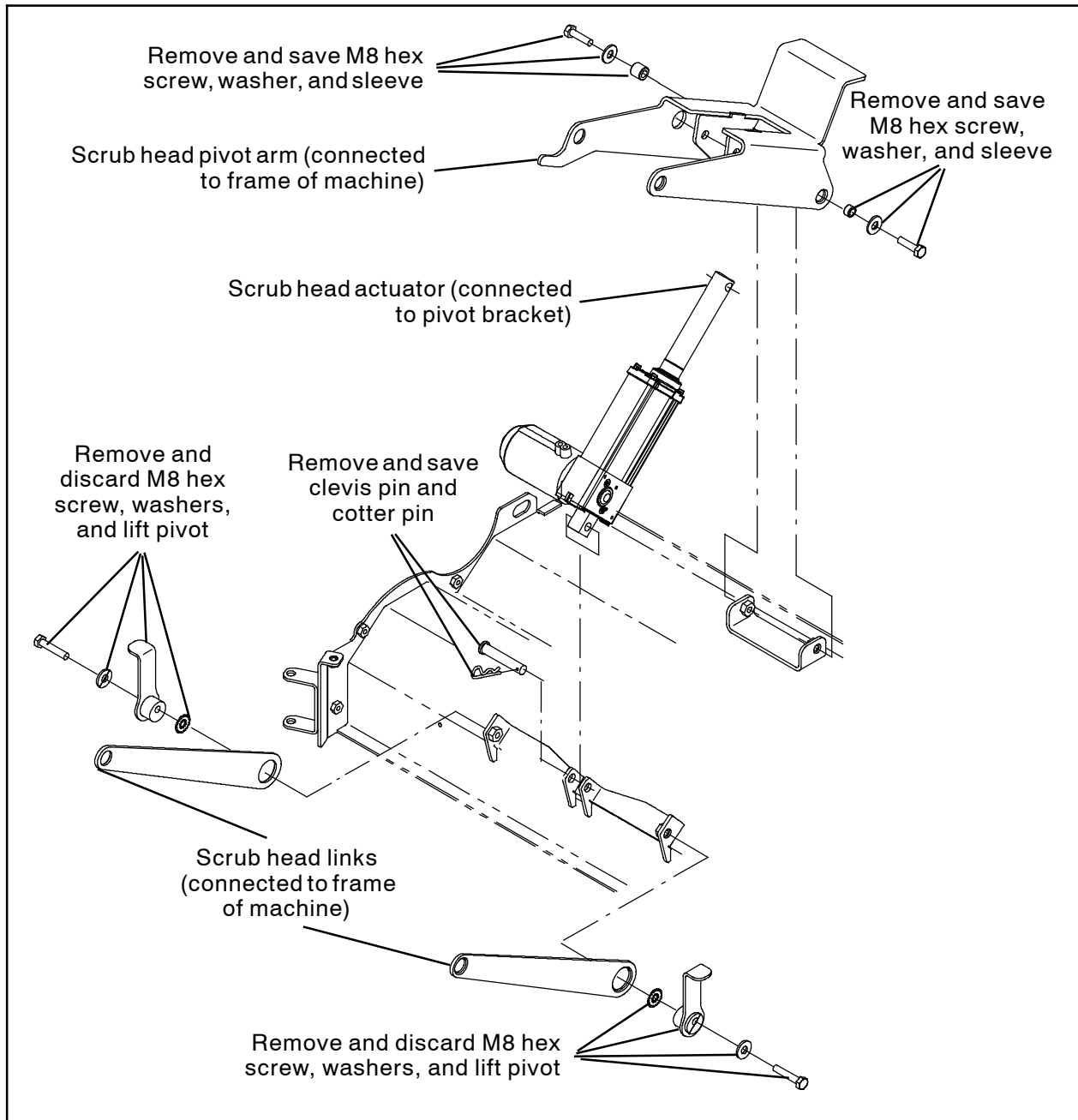
**FOR SAFETY: Before leaving or servicing machine, stop on level surface, turn off machine, and remove key.**

2. Disconnect the battery cable from the machine.



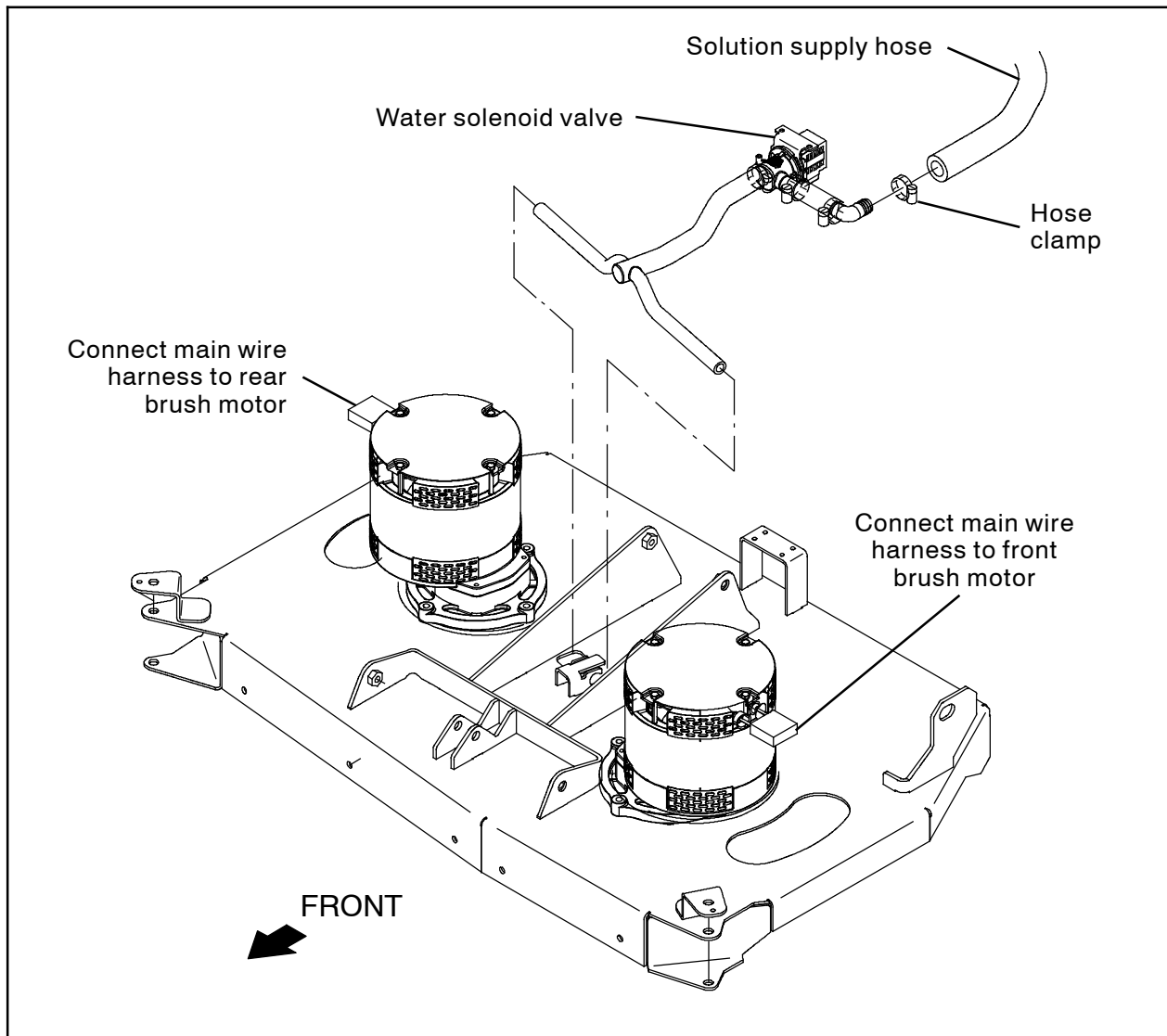
**WARNING: Always disconnect battery cables from machine before working on electrical components.**

## INSTALLATION:



**FIG. 1**

1. Disconnect the wire harness from the brush motors.
2. Disconnect the solution supply hose from the scrub head. Set the hose clamp aside.
3. Disconnect the actuator from the scrub head. Discard the cotter pin and clevis pin aside. (Fig. 1)
4. Disconnect both scrub head links from the scrub head. Discard the washers, hex screws, and lift pivots. (Fig. 1)
5. Disconnect the scrub head pivot arm from the scrub head. Save the washers, hex screws, and both sleeves. (Fig. 1)
6. Chock the back of the rear tires and jack up the front end of the machine. Refer to *MACHINE JACKING* in the *MAINTENANCE* section of the Operators Manual for additional information for safely jacking up the machine.



**FIG. 2**

7. Position two jack stands at the designated locations under the front of the machine and lower the machine onto the jack stands.

**FOR SAFETY: When servicing machine, block machine tires before jacking machine up. Use a hoist or jack that will support the weight of the machine. Jack machine up at designated locations only. Support machine with jack stands.**

8. Remove the scrub head from under the machine. Move the removed scrub head away from the machine and out of the way. Set all removed mounting hardware aside.
9. Install brushes into the new scrub head and position the scrub head near the machine.

10. Slide the new scrub head under the machine and position the scrub head so all components can be easily reconnected / reinstalled in the following steps.

11. Connect the main wire harness to both brush motors. (Fig. 2)
12. Use a hose clamp to connect the solution supply hose to the water solenoid valve on the scrub head. (Fig. 2)
13. Raise the machine off the jack stands, remove the jack stands from under the machine, and lower the machine to the floor.

14. Use the previously removed clevis pin and cotter pin to connect the scrub head actuator to the scrub head.
15. Use one M8 hex screw (1), one flat washer (2), and one flat washer (7) to connect each pivot (3) and both scrub head links to the scrub head. Torque both M8 hex screws to 20 Nm (15 ft. lb.). (Fig. 3)

16. Use saved hardware to connect the scrub head pivot arm to the scrub head. Torque both M8 hex screws to 20 Nm (15 ft. lb.). (Fig. 3)

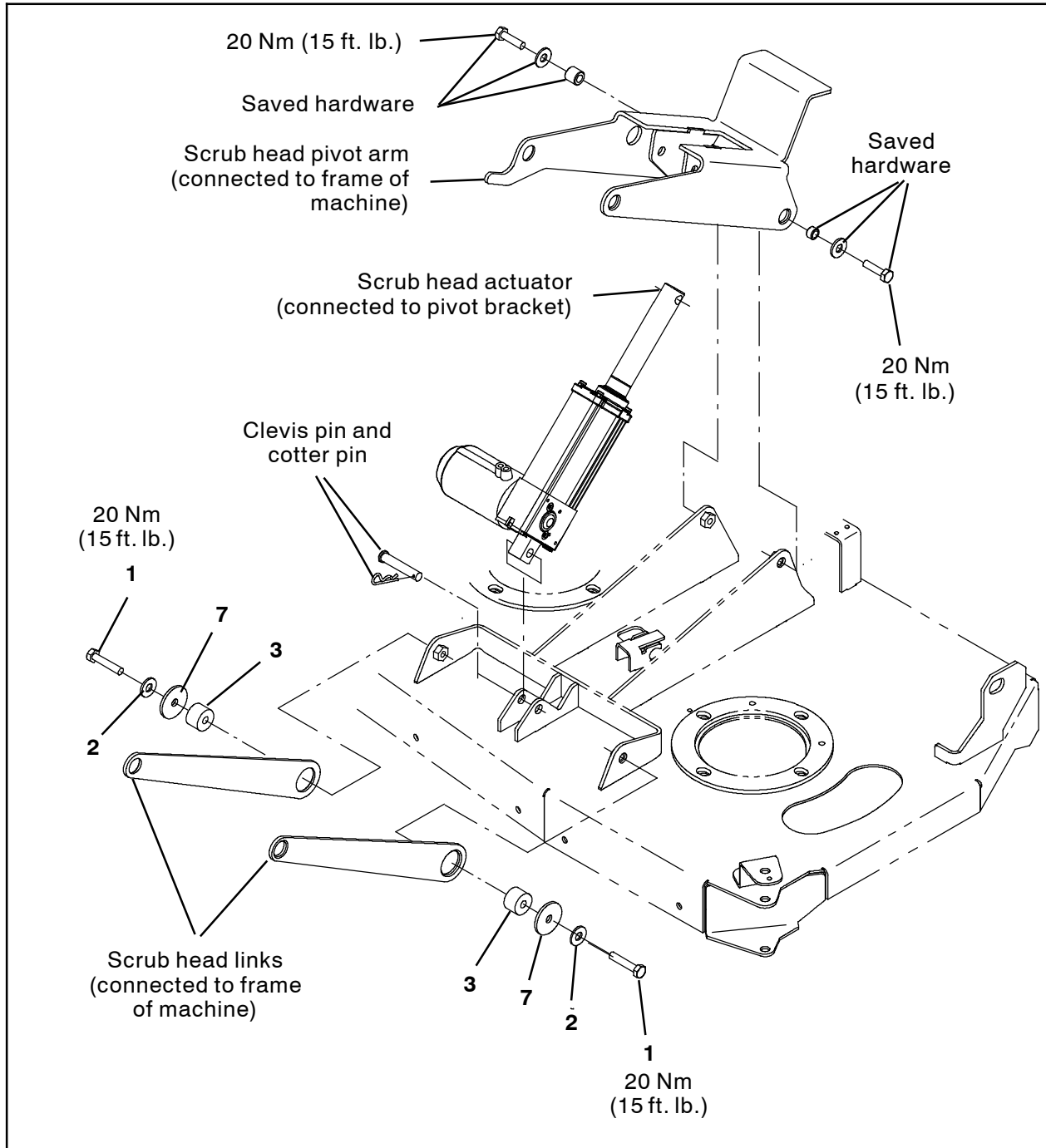


FIG. 3

17. Raise the machine off the jack stands, remove the jack stands from under the machine, and lower the machine to the floor.

18. Use a clevis pin (4) and cotter pin (5) to install the left scrub head squeegee assembly and right scrub head squeegee assembly onto the scrub head. (Fig. 4)

19. Use a M5 hex screw (6) to secure the cotter pins (5) to the scrub head assembly. (Fig. 4)

20. Adjust the left scrub head squeegee assembly and right scrub head squeegee assembly. Open and close each scrub head squeegee assembly and secure the each scrub head squeegee assembly closed. (Fig. 4)

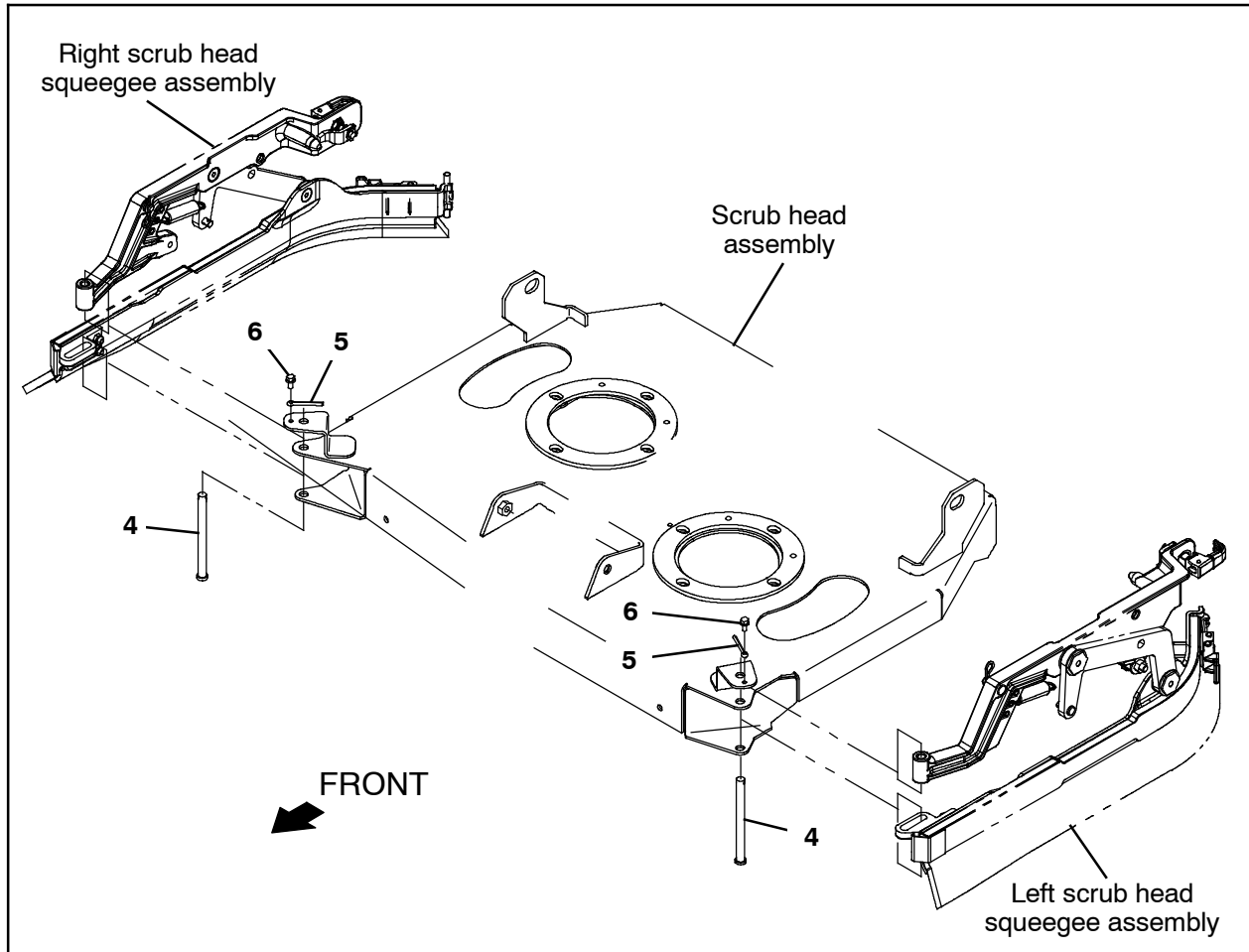


FIG. 4

21. Reconfigure the machine. Refer to the Service Manual for instructions how to reconfigure the machine for the new disk scrub head.
22. Test machine: Start machine. Ensure scrub head moves through entire range of motion and the brushes function properly. Check the brush pattern and adjustment and make adjustments. Refer to the Service Manual for instructions how to check the brush pattern and make adjustments.

---

**Bill Of Materials For Head Kit, Disk, DI [T12] - 9009811**

	<b>Tennant</b>			
<b>▲</b>	<b>Ref.</b>	<b>Part No.</b>	<b>Description</b>	
			<b>Qty.</b>	
▲		9009812	Parts Phantom, Head, Disk [T12]	1
▲		9009885	Parts Phantom, Head, Side Sqge [T12]	1
▲		1200430	Blade. Sqge, Side, 22.50L, Linatex	2

**Parts used to install Head Kit, Disk, DI [T12] onto machine**

	<b>Tennant</b>			
<b>▲</b>	<b>Ref.</b>	<b>Part No.</b>	<b>Description</b>	
			<b>Qty.</b>	
▲	1	09026	Screw, Hex, M8 X 1.25 X 40, SS	2
▲	2	01685	Washer, Flat, 0.38B, 0.88D, 0.08, SS	2
▲	3	1201354	Pivot, Lift	2
▲	4	1205975	Pin, Clevis, 0.37D X 5.00L	2
▲	5	08236	Pin, Cotter, 0.156 X 1.25	2
▲	6	223198	Screw, Hex, M5 X 0.80 X 10, Fmg	2
▲	7	379829	Washer, Flat, 0.34B 1.50D .12, Stl, Pl	2

TENNANT COMPANY  
P. O. Box 1452  
Minneapolis, MN 55440-1452