



# INSTRUCTION BULLETIN

No. 9008538  
Machine: T16  
Published: 11-2011  
Rev. 00

**NOTE: DO NOT DISCARD the Parts List from the Instruction Bulletin. Place the Parts List in the appropriate place in the machine manual for future reference. Retaining the Parts List will make it easier to reorder individual parts and will save the cost of ordering an entire kit.**

*NOTE: Numbers in parenthesis ( ) are reference numbers for parts listed in Bill of Materials.*

Installation instructions for **kit number 9008039**

## SYNOPSIS:

This kit contains the parts needed to install side brush kit onto T16 scrubbers.  
Please follow step-by-step instructions.

## SPECIAL TOOLS / CONSIDERATIONS: NONE

(Estimated time to complete: 7 hours)



### PROTECT THE ENVIRONMENT

Please dispose of packaging materials, old machine components, and hazardous fluids in an environmentally safe manner according to local waste disposal regulations.

Always remember to recycle.

*NOTE: If necessary, remove the scrub head before installing the side brush assembly onto the machine. Removing the scrub head will make it easier to install the side brush assembly and additional parts, components, and hoses.*

## PREPARATION:

1. Completely empty the solution tank and the recovery tank.
2. Park the machine on a clean level surface, turn off the machine, and remove the key.

**FOR SAFETY: Before leaving or servicing machine, stop on level surface, turn off machine, and remove key.**

3. Disconnect the battery cables from the batteries.



**WARNING: Always disconnect battery cables from machine before working on electrical components.**

*NOTE: Refer to the MACHINE JACKING in the MAINTENANCE section of the Operators Manual for additional information about safely jacking up the machine.*

4. Chock the front and back of both rear tires.
5. Jack up the front end of the machine.
6. Place jack stands beneath the front end of the machine to support the machine off the floor.

**FOR SAFETY: When servicing machine, chock machine tires before jacking up machine. Use a hoist or jack that will support the weight of the machine. Jack machine up at designated locations only. Support machine with jack stands.**

*NOTE: It may be necessary to remove parts before installing the side brush components onto the machine. Remove any parts necessary to make installing side brush assembly easier.*

## **INSTALLATION:**

1. Install the pre-assembled side brush assembly and other side brush components onto the front of the machine. Refer to Method Layout pages and parts drawings for locations.
2. Install the solution supply hoses, fittings, and components onto the machine. Refer to Method Layout pages and parts drawings for part and component locations.
3. Install the switch into the control panel and circuit breaker into the circuit breaker panel. Connect the main wire harness to the switch and circuit breaker. Refer to schematics and wire harness group drawings for wire / cable connections.
4. Connect the main wire harness to the side brush motor assembly and other side brush components. Refer to schematics and wire harness group drawings for wire / cable connections.
5. Connect the main wire harness to the side brush motor assembly and other side brush components. Refer to schematics and wire harness group drawings for wire / cable connections.
6. Install the side brush guard assembly onto the machine. Refer to Method Layout pages and parts drawings for part and component locations.
7. Install the brush onto the side brush assembly. Refer to Method Layout pages and parts drawings for part and component locations.
8. Reinstall all parts that were removed to make installing the side brush kit easier.
9. Remove the jack stands from under the machine and lower the machine to the floor.
10. Reconnect the battery cables to the batteries.
11. Start and test the machine. Press the side brush button to operate the side brush. Ensure the side brush is functioning properly.



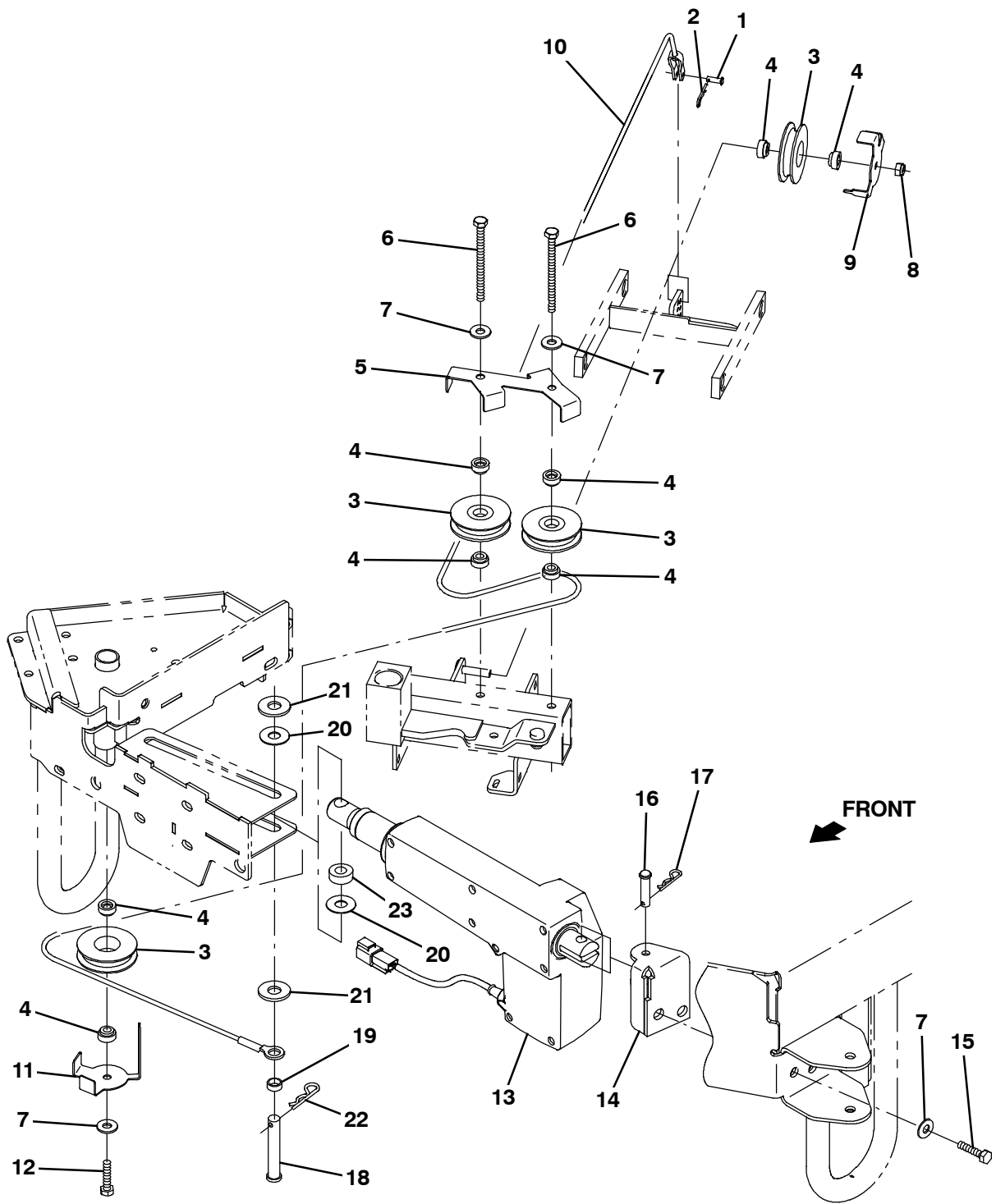


FIG. 1

<b>Ref.</b>	<b>Part No.</b>	<b>Description</b>	<b>Qty.</b>
1	77488	Pin, Clevis, 0.19d X 0.63l	1
2	86866	Pin, Cotter, Hair, 0.38d .072 Wir	1
3	80235	Sheave, Idler, 015mmd, 2.44pd	4
4	80487	Spacer, Idler .25 Lg	8
5	1053541	Bracket, Retainer	1
6	386299	Screw, Hex, M8 X 1.25 X 100, Ss	2
7	01685	Washer, Flat, 0.38b 0.88d .08, Ss	5
8	08713	Nut, Hex, Lock, M8 X 1.25, NI, Ss	1
9	1051470	Angle, Keeper, Cable	1
10	1054379	Cable, Ss .13d 032.0l .2clevis /.50eye	1
11	1054352	Angle, Keeper, Cable	1
12	09023	Screw, Hex, M8 X 1.25 X 35, FI, Ss	1
13	1057841	Actuator, 36vdc, 06.0strk, 0562lb	1
14	1057905	Bracket Wldt, Actuator, Sba	1
15	09010	Screw, Hex, M8 X 1.25 X 25, Ss	2
16	94877	Pin, Clevis, 10mmd X	1
17	44906	Pin, Cotter, Hair, 0.38d .093 Wir	1
18	23683	Pin, Clevis, 0.50d X 3.00l	1
19	140145	Sleeve, P/M, 0.51b 0.63d 0.3l, PI	1
20	86952	Washer, Flat, 0.52b 1.25d .06, Nyl	2
21	32493	Washer, Flat, 0.50, Std	2
22	02942	Pin, Hair, Cotter, 0.62d .120 Wir	1
23	1007705	Washer, Flat, 0.50b 1.00d .38, Stl, PI	1

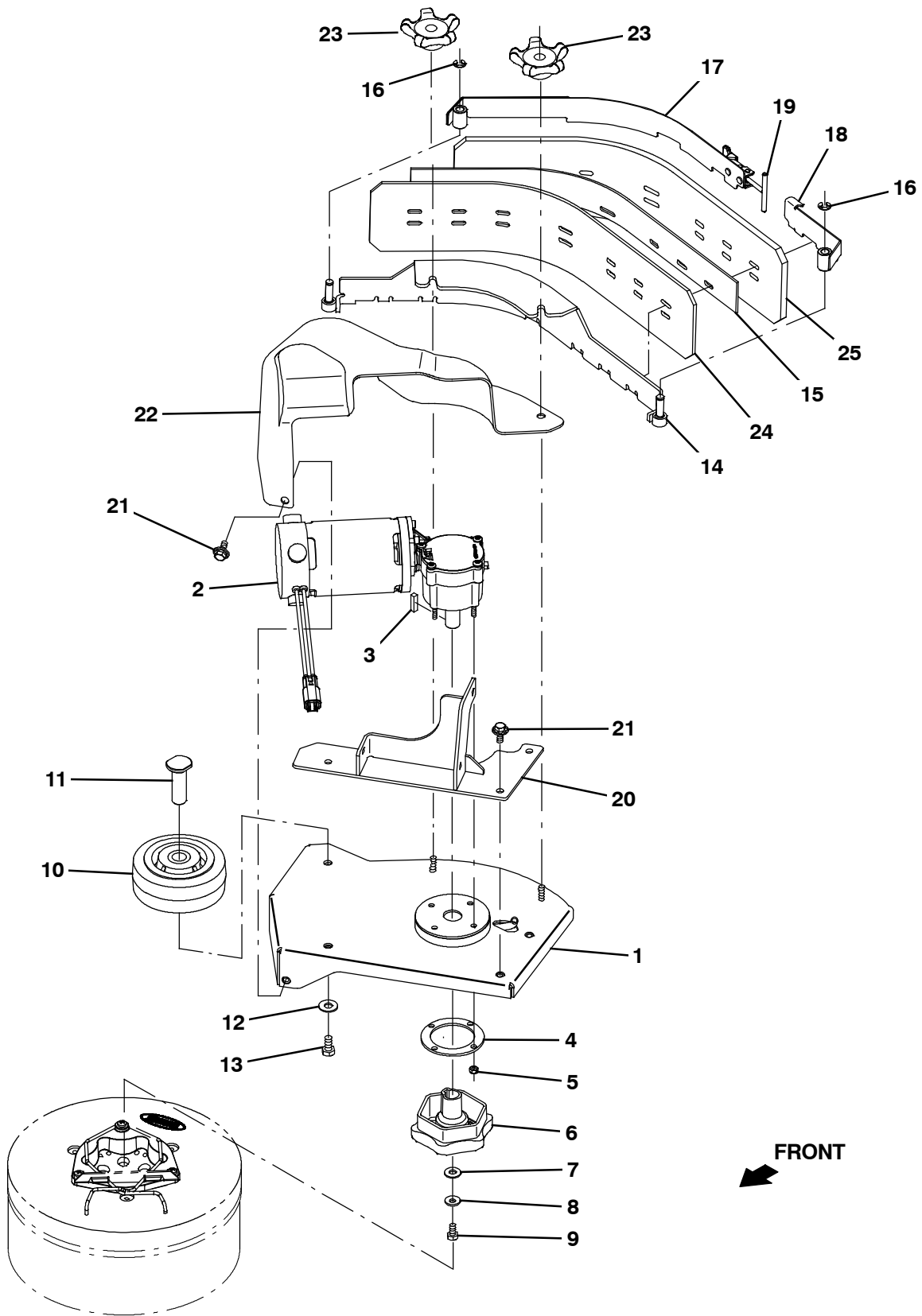


FIG. 2

	<b>Ref.</b>	<b>Part No.</b>	<b>Description</b>	<b>Qty.</b>
	1	1052848	Plate Wldt, Deck, Sba	1
▽	2	1052754	Motor, Ele, 36vdc 0320rpm 0.63hp Gear	1
▲		9008737	Brush Kit, Motor, 1052754	1
	3	00928	Key, Sq, 0.25 X 0.25, 1.00l	1
	4	1013821	Plate, Sppt	1
	5	08712	Nut, Hex, Lock, M6 X 1.00, NI, Ss	4
	6	377364	Hub, Drive, Brush, Disk, 0.75b [6t]	1
	7	01685	Washer, Flat, 0.38b 0.88d .08, Ss	1
	8	41186	Washer, Flat, Belleville, .31	1
	9	15675	Screw, Hex, M8 X 1.25 X 16, Ss	1
	10	1052962	Wheel, 05.0d 2.00w 0.75b, Gray, W/ Bshg	1
	11	1052971	Sleeve, Wheel, Sba	1
	12	01686	Washer, Flat, 0.44b 1.00d .08, Ss	1
	13	09291	Screw, Hex, M10 X 1.50 X 20, Ss	1
	14	1059557	Frame Wldt, Sqge	1
	15	1053920	Spacer, Sqge, Neo	1
	16	24555	Ring, Retaining, Ext, 0.38d, [E-Ring]	2
	17	1056779	Clamp Wldt, Front	1
	18	1056777	Clamp Wldt, Rear	1
	19	1054312	Hook Wldt, Latch	1
	20	1053593	Mount Wldt, Arm	1
	21	1020341	Screw, Hex, M8 X 1.25 X 20, Ss, Sems	4
	22	9008672	Cover, Motor, Afmkt [T16]	1
	23	1054948	Knob Assy, Star, 3.21d 5ear M8	2
	24	1053919	Blade, Sqge, Sba, Inner [Linatex]	1
	24	1060350	Blade, Sqge, Sba, Inner [Ure 50d]	1
	24	1060366	Blade, Sqge, Sba, Inner [Gum]	1
	25	1059457	Blade, Sqge [Outer Dual-D]	1
	25	1060351	Blade, Sqge, Sba, Outer [Ure 50d]	1
	25	1060367	Blade, Sqge, Sba, Outer [Gum]	1

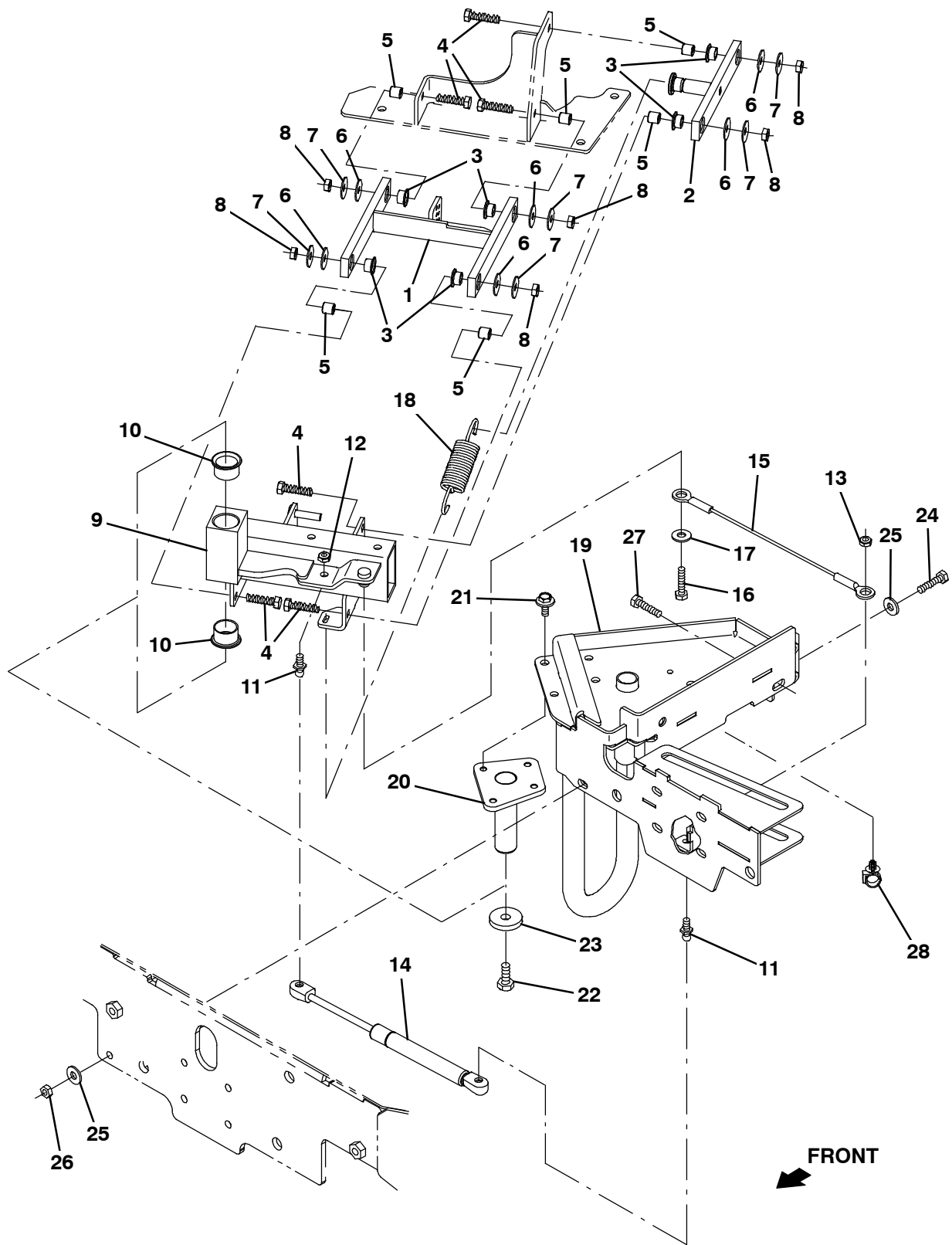


FIG. 3



<b>Ref.</b>	<b>Part No.</b>	<b>Description</b>	<b>Qty.</b>
1	1052866	Arm Wldt, Lower, Sba	1
2	1054061	Arm Wldt, Upper	1
3	1051204	Bushing, Flng, 0.50b 0.59d 0.38l	6
4	09023	Screw, Hex, M8 X 1.25 X 35, Fl, Ss	6
5	222460	Sleeve, P/M, 0.32b 0.50d 0.5l [430ss]	6
6	1052194	Washer, Thrust, 0.34b 1.00d .06 [Garlok]	6
7	01685	Washer, Flat, 0.38b 0.88d .08, Ss	6
8	08713	Nut, Hex, Lock, M8 X 1.25, NI, Ss	6
9	1052921	Pivot Wldt, Sba	1
10	56166	Bushing, Flng, 1.00b 1.13d 0.75l	2
11	58494	Stud, Ball, .39d .31-16, Gasspring	2
12	01760	Nut, Hex, Lock, .31-18, NI, Thin	1
13	1059135	Nut, Retainer, .31-18 0.48d 0.20l	1
14	1051379	Gasspring, 90lb, 3.9strk	1
15	1057265	Cable, Ss .09d 011.5l .50eye /.50eye	1
16	386868	Screw, Hex, M8 X 1.25 X 12, Ss	1
17	01685	Washer, Flat, 0.38b 0.88d .08, Ss	1
18	1052034	Spring, Extn, 1.13od 0.13wir 04.50l	1
19	1053222	Bracket Wldt, Mtg, Sba	1
20	1053144	Pin Wldt, Pivot	1
21	1037346	Screw, Hex, M8 X 1.25 X 25, 9.8, Sems	4
22	09028	Screw, Hex, M10 X 1.50 X 25, Ss	1
23	1053146	Washer, Thrust, 0.41b 1.50d 0.25w	1
24	09011	Screw, Hex, M8 X 1.25 X 30, Ss	3
25	01685	Washer, Flat, 0.38b 0.88d .08, Ss	6
26	08713	Nut, Hex, Lock, M8 X 1.25, NI, Ss	3
27	09010	Screw, Hex, M8 X 1.25 X 25, Ss	2
28	1058537	Clip, Wire, Snap-In, .47d	1

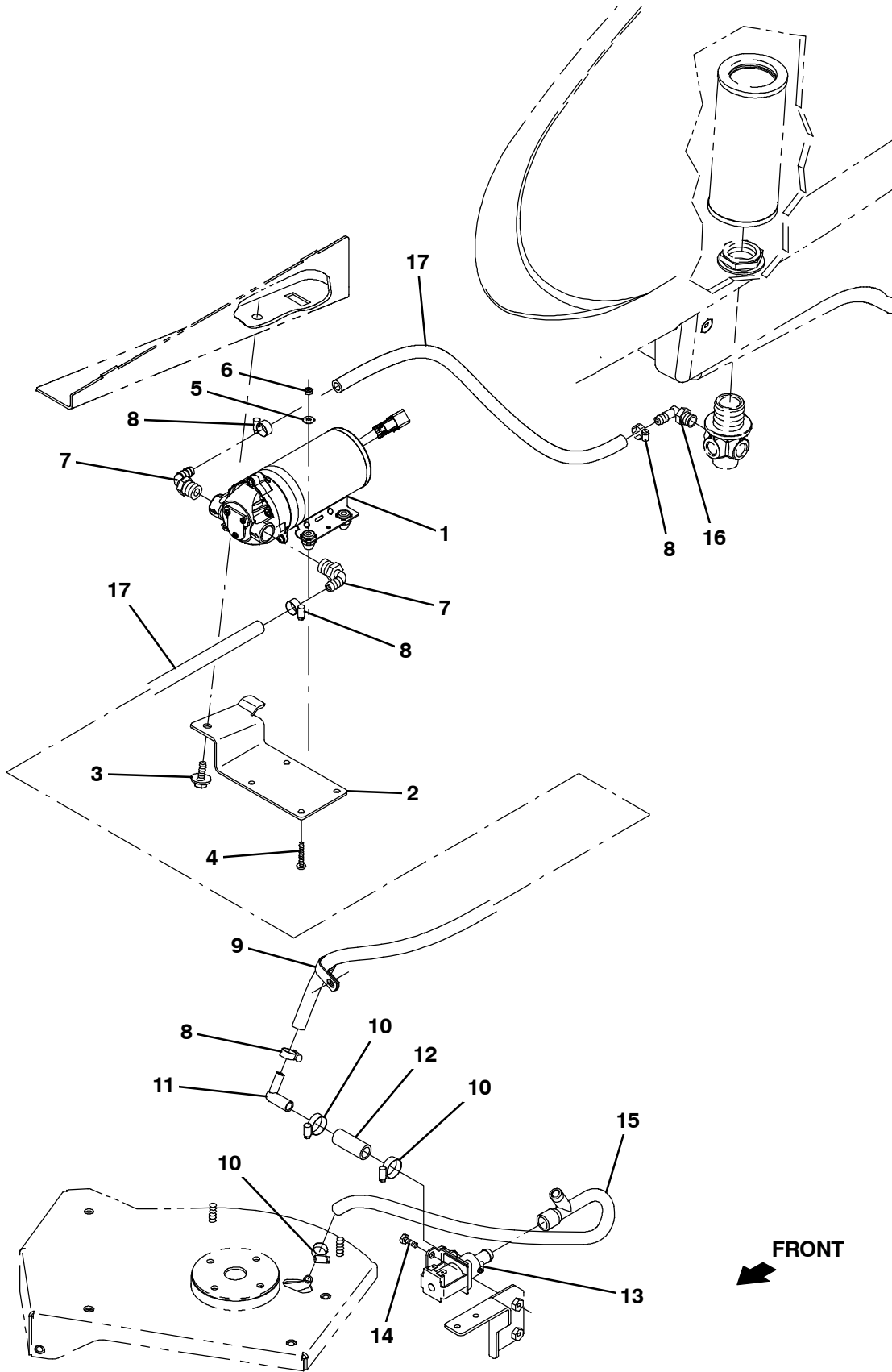
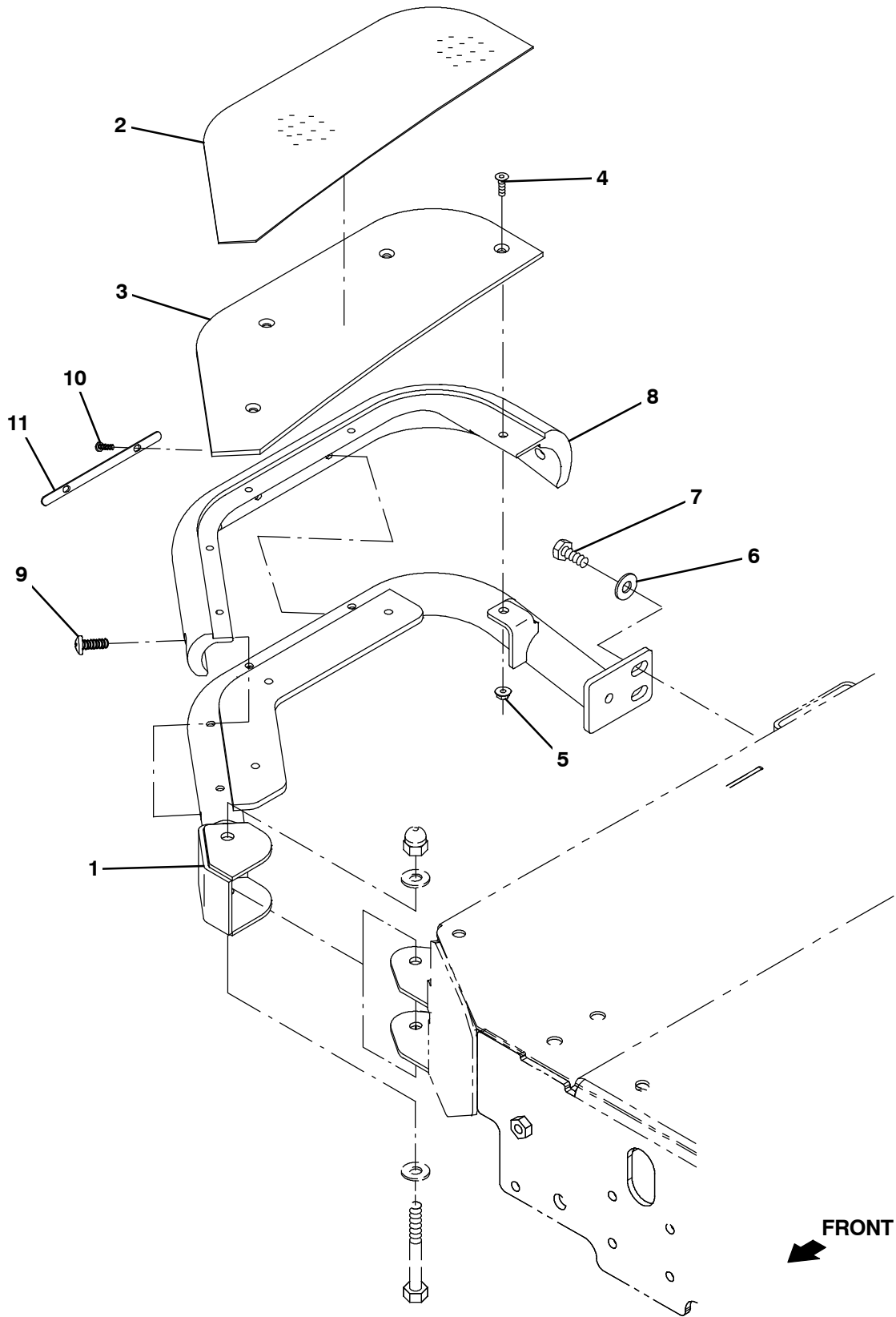


FIG. 4

<b>Ref.</b>	<b>Part No.</b>	<b>Description</b>	<b>Qty.</b>
1	1054897	Pump, Soltn, Ele, 36vdc	1
2	1055249	Bracket, Pump	1
3	1020341	Screw, Hex, M8 X 1.25 X 20, Ss, Sems	1
4	140293	Screw, Pan, M5 X 0.80 X 30, Ss	4
5	01683	Washer, Flat, 10, Ss	4
6	09739	Nut, Hex, Lock, M5 X 0.80, NI, Ss	4
7	1005630	Fitting, Plstc, E90, Bm06/Pm06, Nyl	2
8	43844	Clamp, Hose, Wormdrive, 0.25-0.62d, .31w	4
9	67767	Clamp, Cable, Stl, 0.69d X 0.62w, 1hole	1
10	54333	Clamp, Hose, Wormdrive, 0.31-0.88d, .31w	3
11	222376	Fitting, Plstc, E90, Bm06/Bm08	1
12	1011403	Hose, Afrmkt, Pvc, Brd, 0.50id, 01ft, Clr	1
13	1059587	Valve, Water, Solenoid, 36Vdc Bm10/Bm10	1
14	15678	Screw, Hex, M6 X 1.00 X 16, Ss	2
15	1053615	Manifold, Soltn, Sba	1
16	150412	Fitting, Plstc, E90, Bm06/Pm06	1
17	1014976	Hose, Afrmkt, Pvc, Brd, 0.38id, 08ft, Clr	1



**FIG. 5**

<b>Ref.</b>	<b>Part No.</b>	<b>Description</b>	<b>Qty.</b>
1	1060381	Guard Wldt, Sba	1
2	1060382	Tread, Non-Skid, Step, 06.5w 16.3l, Sba	1
3	1060383	Plate, Step	1
4	16879	Screw, Flt, Soc, M6 X 1.00 X 20, 10.9	4
5	07790	Nut, Hex, Flng, M6 X 1.00	4
6	01686	Washer, Flat, 0.44b 1.00d .08, Ss	2
7	09028	Screw, Hex, M10 X 1.50 X 25, Ss	2
8	1060380	Bumper, Sba	1
9	1031665	Screw, Pan, M8 X 1.25 X 25, Blk	2
10	24265	Screw, Pan, Phl, M4 X 0.70 X 16, Ss	2
11	1060426	Plate, Washer, Bmpr	1

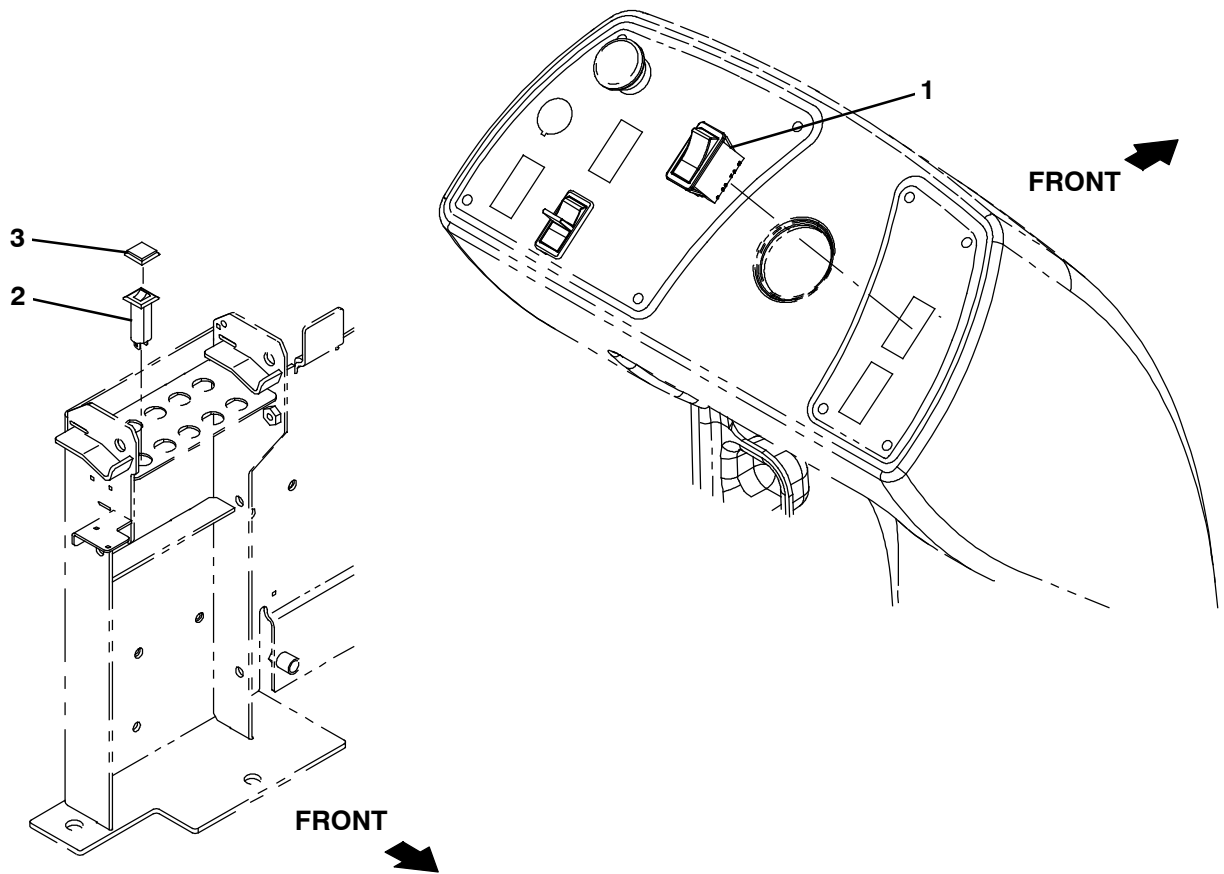


FIG. 6

Ref.	Part No.	Description	Qty.
1	397889	Switch, Rocker, Dpst, On / None / On	1
2	1064184	Circuit Breaker, 02.5a, Resetable	1
3	1064191	Boot, Circuitbreaker	1

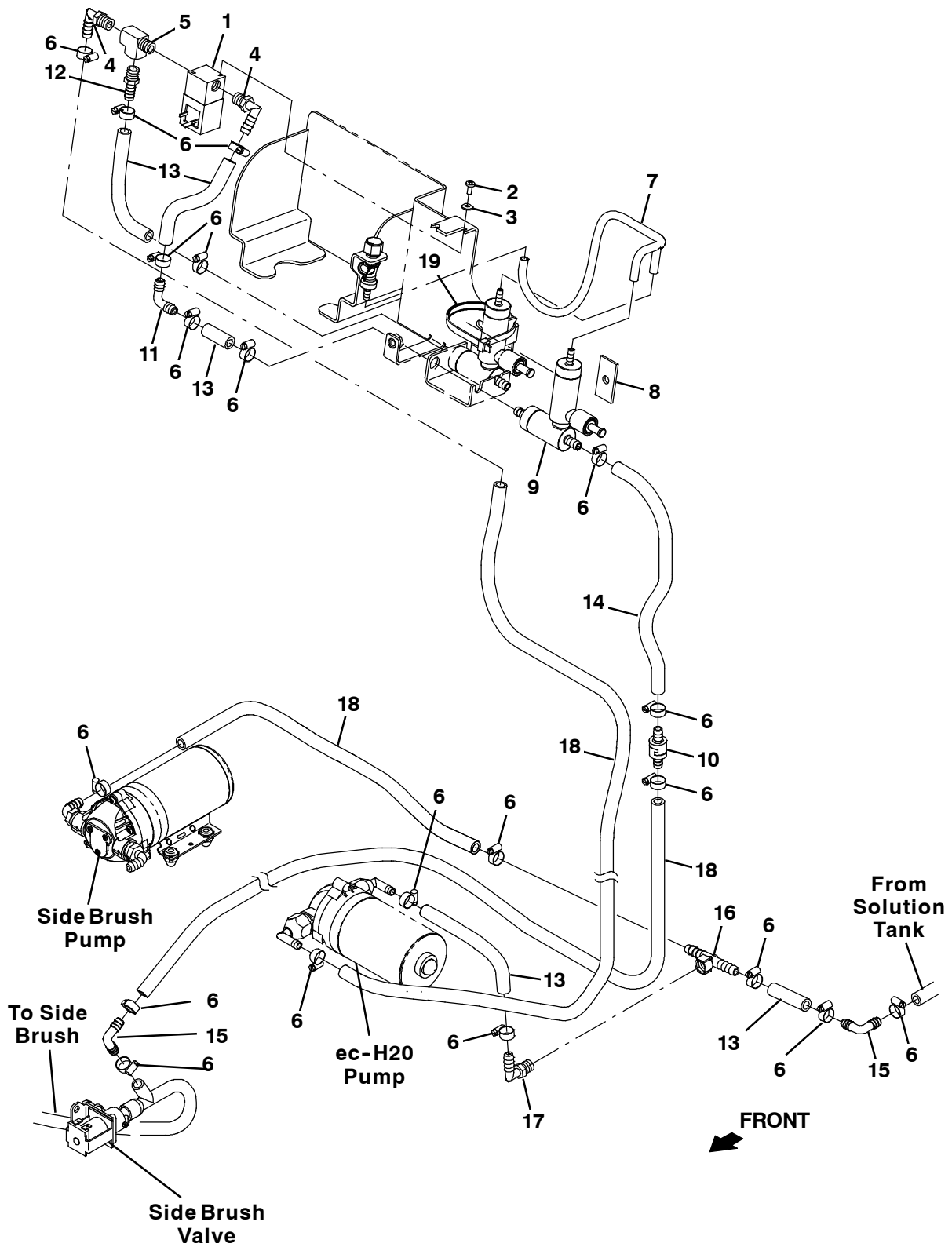
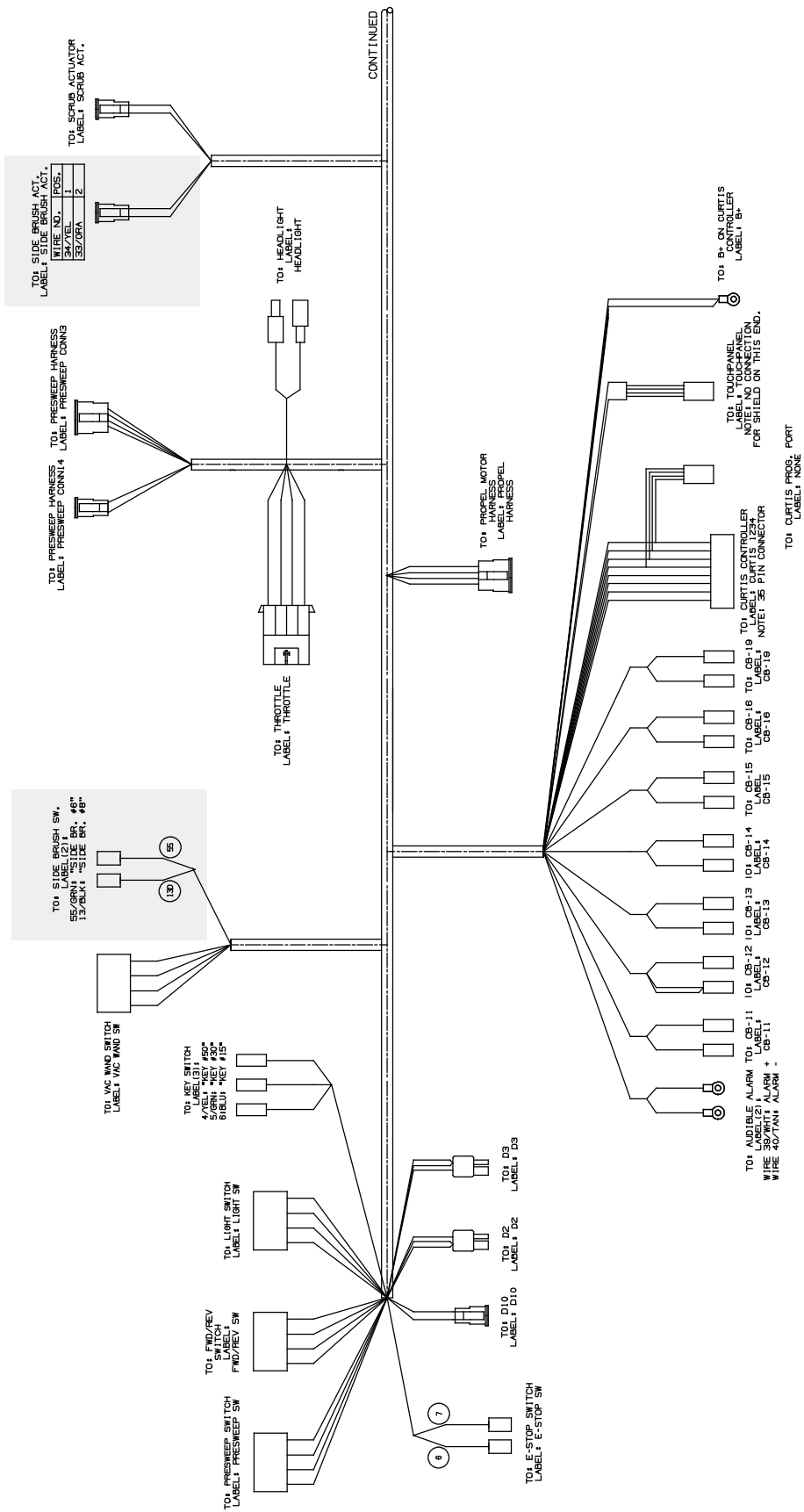


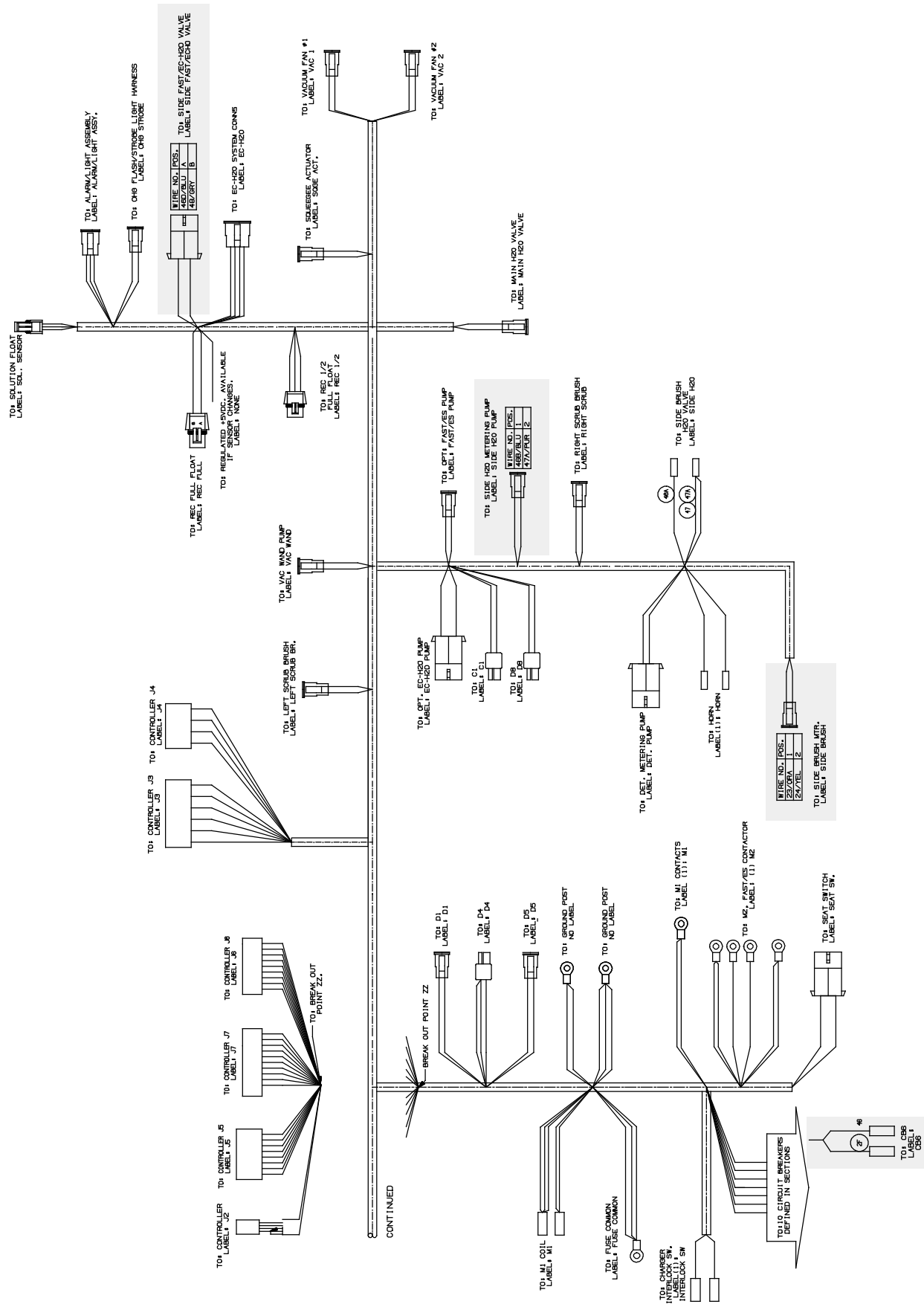
FIG. 7

<b>Ref.</b>	<b>Part No.</b>	<b>Description</b>	<b>Qty.</b>
1	1028581	Valve, Water, Solenoid, 36vdc 6.0mm Pf04	1
2	09200	Screw, Pan, Phl, M5 X	2
3	01683	Washer, Flat, 10, Ss	2
4	57248	Fitting, Plstc, E90, Bm06/Pm04, Nyl	2
5	150709	Fitting, Brs, Tee, Pm04/Pf04/Pf04, Run	1
6	43844	Clamp, Hose, Wormdrive, 0.25-0.62d, .31w	20
7	1059854	Manifold, Detgt .25id	1
8	1040318	Pad, Tank, Hyd [W/Psa]	1
9	9003906	FaST Kit, Injector, Ci [FaST II+] (See Breakdowns)	1
10	1015455	Valve, Check, 0005psi Bm06/Bm06	1
11	20951	Fitting, Plstc, E90, Bm06/Bm06	1
12	49186	Fitting, Plstc, Str, Bm06/Pm04, Nyl	1
13	1014971	Hose, Afmkt, Pvc, Brd, 0.38id, 01ft, Clr	5
14	1014974	Hose, Afmkt, Pvc, Brd, 0.38id, 02ft, Clr	1
15	20951	Fitting, Plstc, E90, Bm06/Bm06	2
16	1017197	Fitting, Plstc, Tee, Bm06/Bm06/Pf04, Br	1
17	57248	Fitting, Plstc, E90, Bm06/Pm04, Nyl	1
18	1014976	Hose, Afmkt, Pvc, Brd, 0.38id, 08ft, Clr	3
19	44961	Tie, Cable, Nyl, 14.5l .30w 4.0 Max D	1

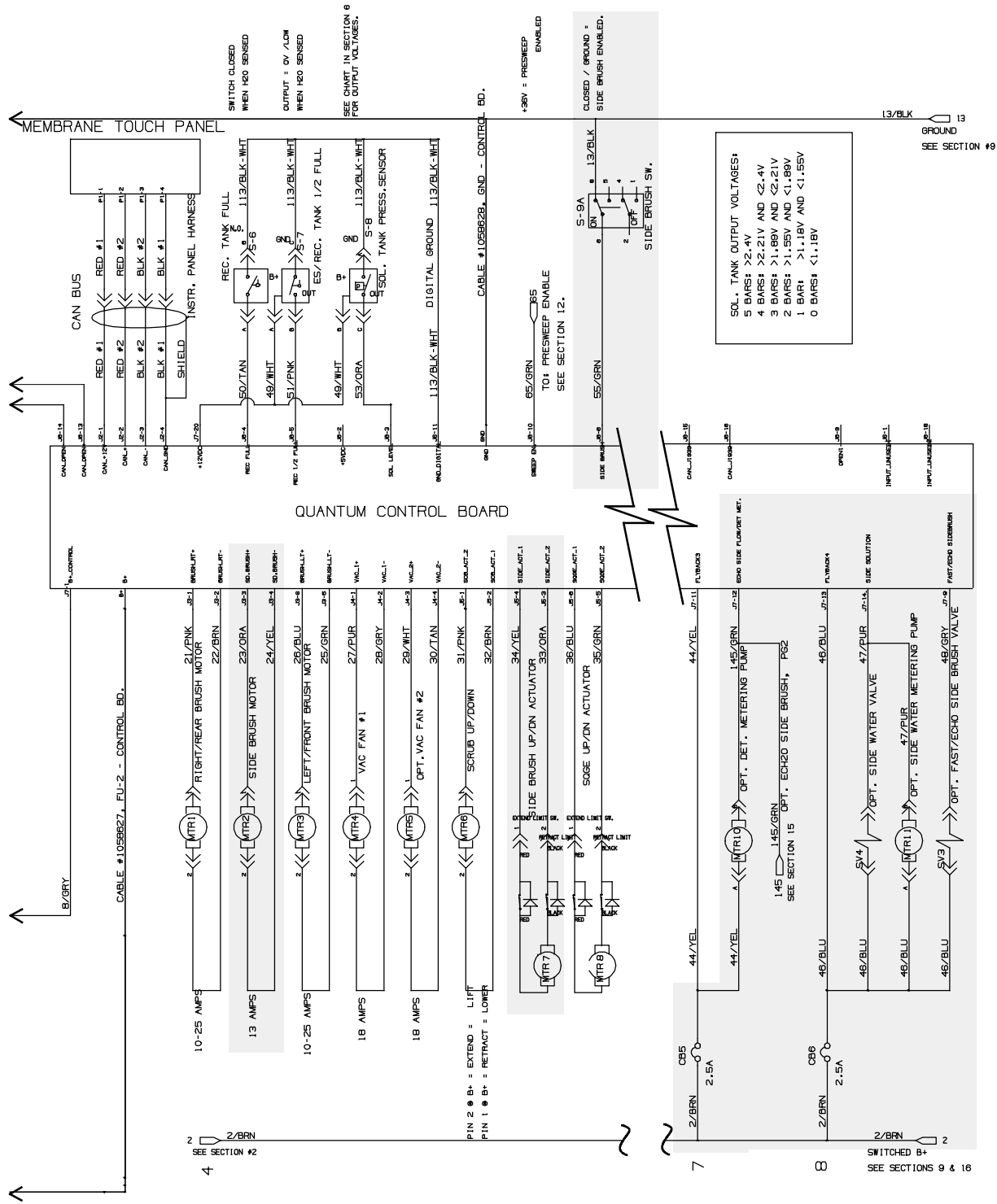




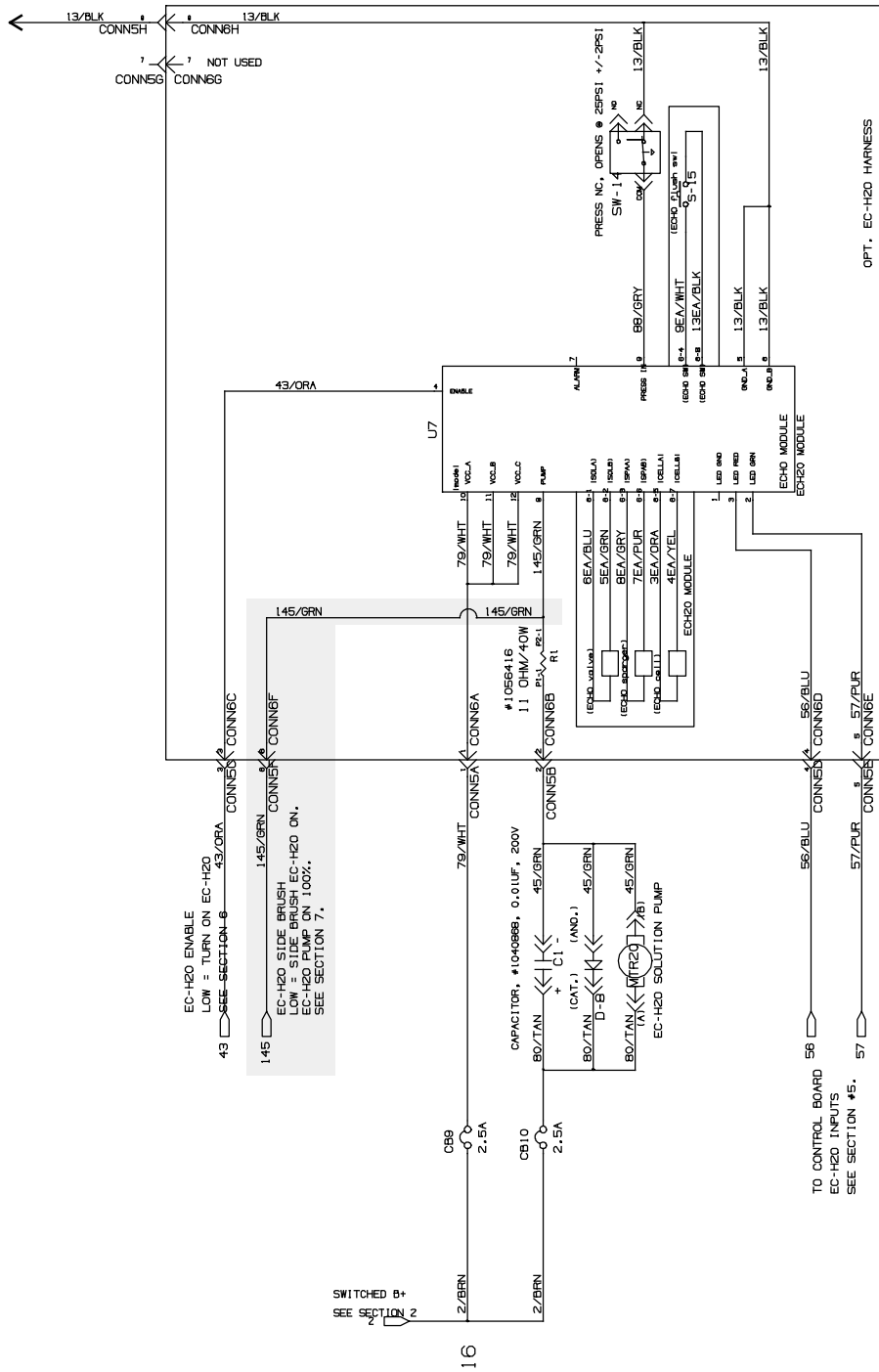
Wire Harness Group



Wire Harness Group



Electrical Schematic (1 of 2)



Electrical Schematic (2 of 2)

TENNANT COMPANY  
P. O. Box 1452  
Minneapolis, MN 55440-1452

**Attach lift fixture to Side brush assembly and transport to frame.**

Comments:

o



Special Tools:

Fixture number

## Mount to Mount SBA to frame without Bumper SB– Station

### Comments:

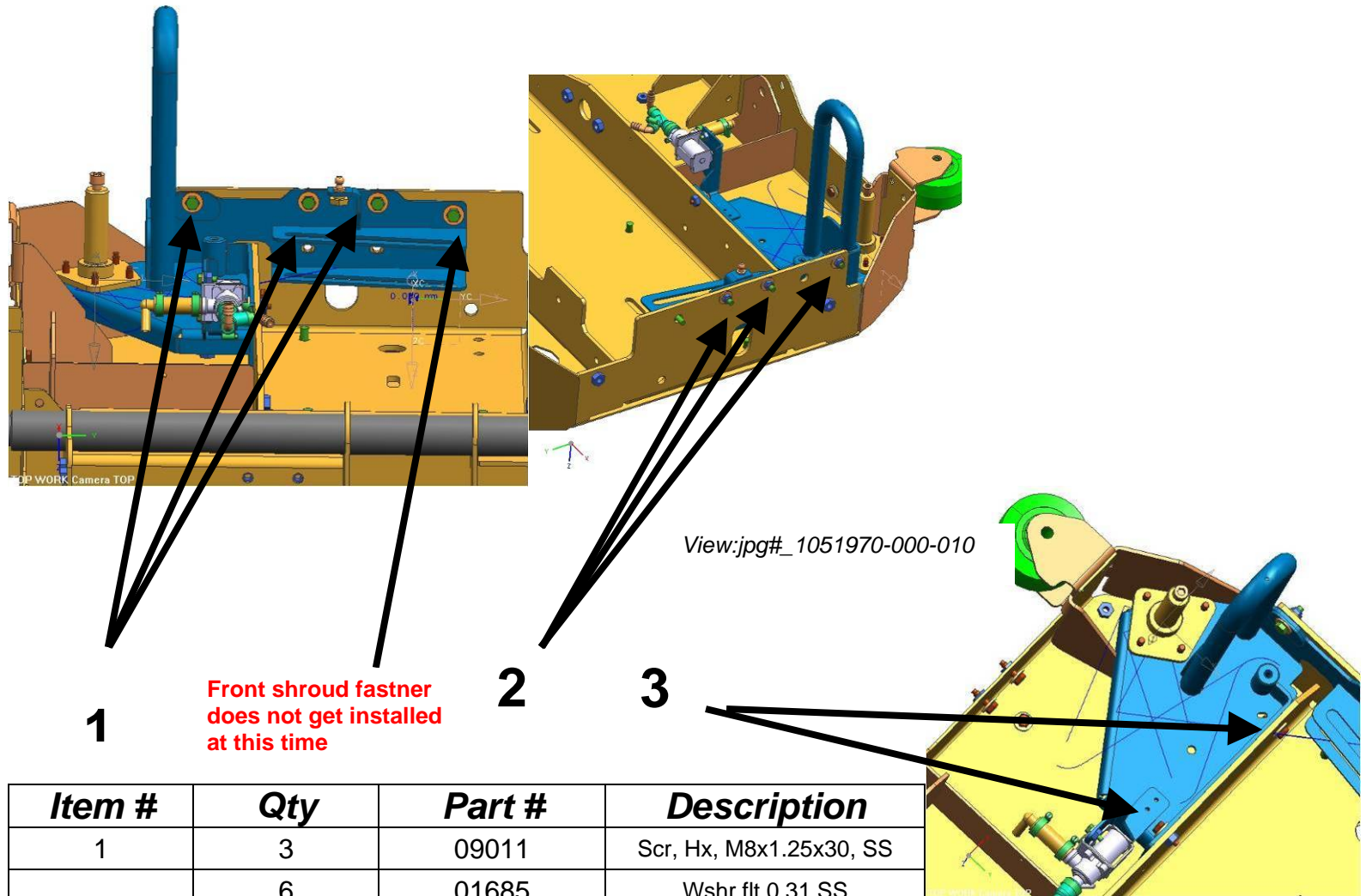
- Machines with OHG option should have OHG bracket installed at this time .
- Option: Bumper W SB 9008062? See next page.
- Insure bracket is aligned square to the frame.

### Note:

- Productivity Kit 9008531  
This kit includes Side brush Assy, Spray Hose Assy & Vac Wand Kit.

### Special Tools:

18.5-24Nm  
5020 #6 Violet  
13MM socket

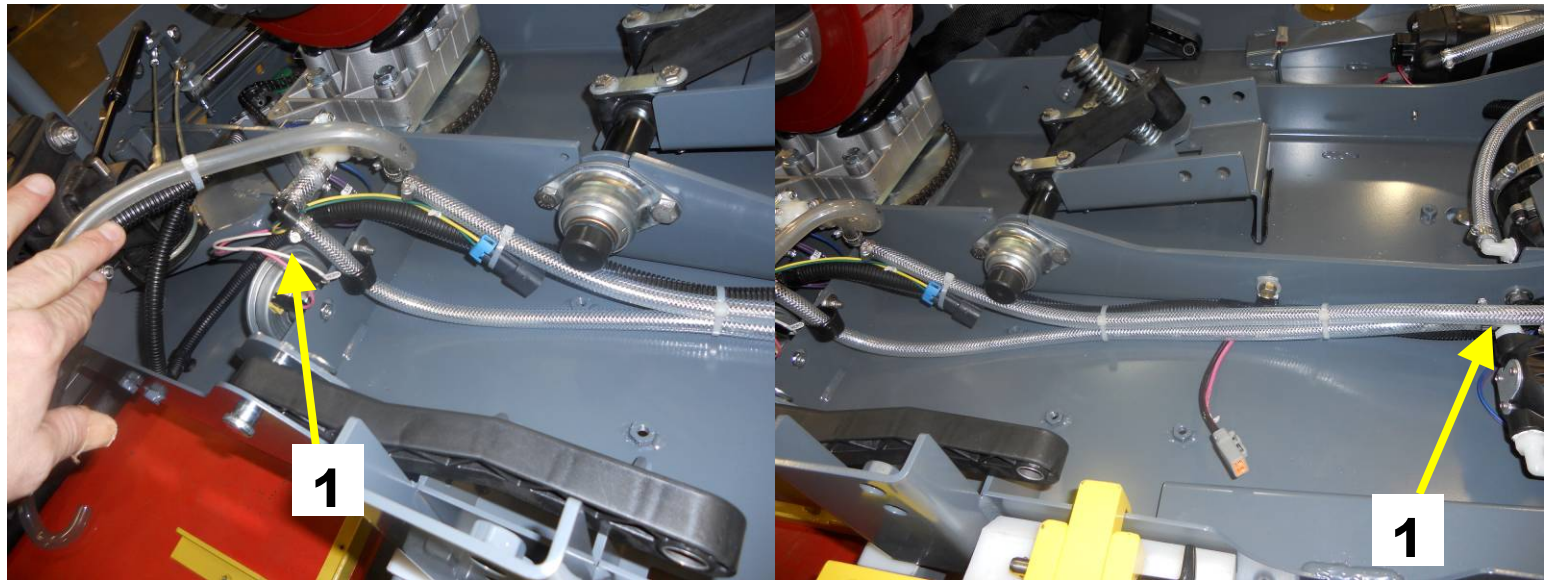


Item #	Qty	Part #	Description
1	3	09011	Scr, Hx, M8x1.25x30, SS
	6	01685	Wshr flt 0.31 SS
2	3	08713	Nut Hx lock m8x1.25 NL SS
3	2	09010	Scr, Hx, M8x1.25x25, SS

## SBS Connect SBS Pump water pump line

### Comments:

- 28" Green hose 376720 HOSE, PVC, BRD, 0.38ID 0.60OD, BULK, CL
- Route hose through clamp applied with horn assembly.



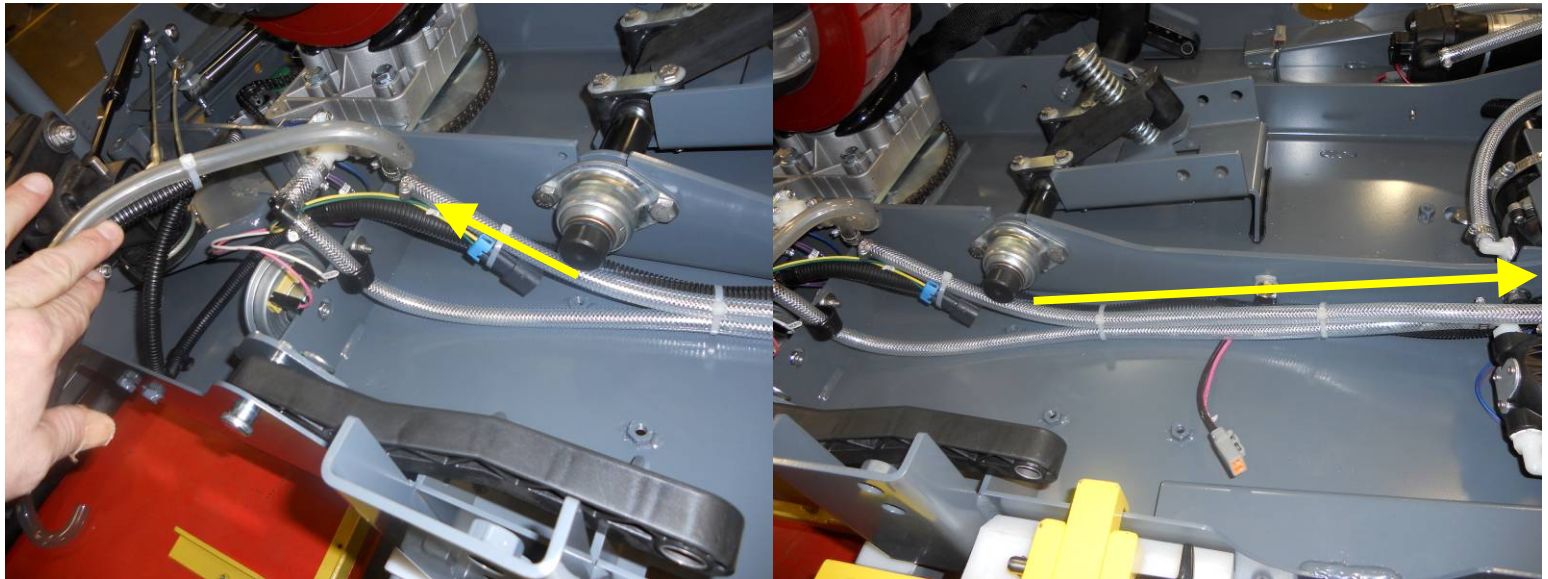
### Special Tools:

<i>Item #</i>	<i>Qty</i>	<i>Part #</i>	<i>Description</i>
1	28"	376720	Hose PVC BRD 0.38ID
	1	43844	Clamp hose wormdrive 0.25-0.62D

**SBS Connect Fast / EC water line – 1<sup>st</sup> page**

**Comments:**

- EC H2O & Fast hose for side brush scrub
- Hose routing is continues on next page.
- Note location of 3 cable ties
- Mark loose end of hose.



**Special Tools:**

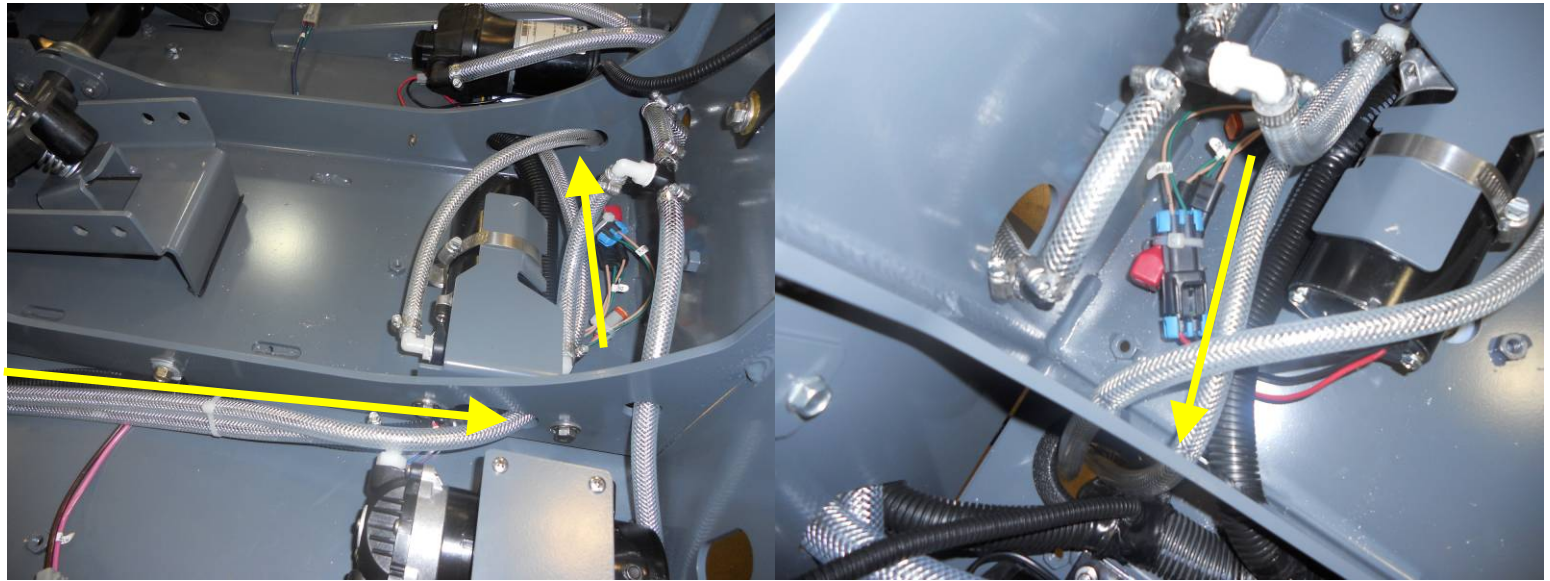
<b>Item #</b>	<b>Qty</b>	<b>Part #</b>	<b>Description</b>
	75"	376720	Hose PVC BRD 0.38ID
	1	43844	Clamp hose wormdrive 0.25-0.62D



**SBS Connect Fast / EC water line – 2nd page**

Comments:

- o EC H2O & fast hose



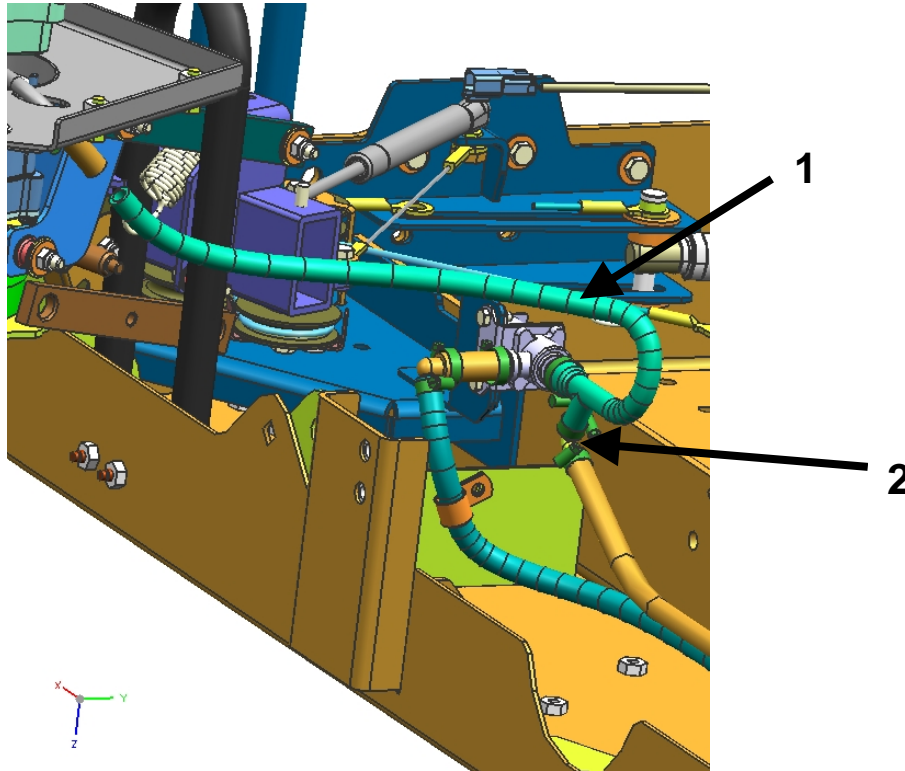
Special Tools:

<i>Item #</i>	<i>Qty</i>	<i>Part #</i>	<i>Description</i>

## SBS Manifold to SBA

### Comments:

- Shown as a Fast / EC H20.
- Trim manifold plug off.
- **STD does not get Ftg. Manifold plug stay in place.**



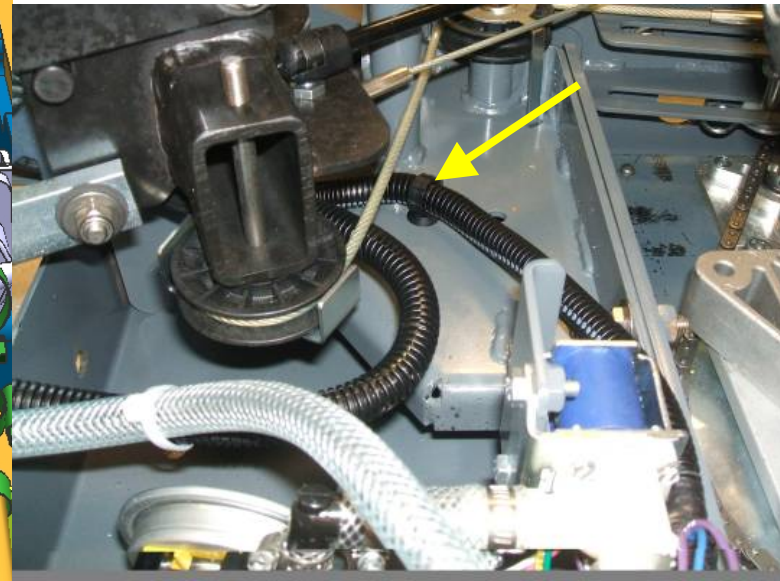
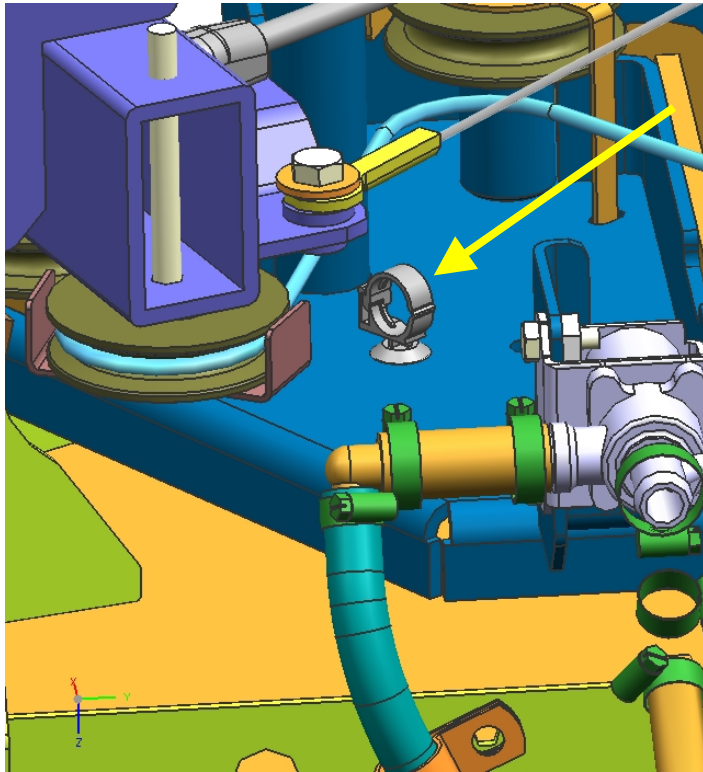
### Special Tools:

Battery powered driver

<i>Item #</i>	<i>Qty</i>	<i>Part #</i>	<i>Description</i>
1	1	1053615	Manifold, Solution, SBA
2	1	20951	Fitting Plastic E90 BM06/Bm06
	1	54333	Clamp hose worm drive .31 -0.88D
	2	43844	Clamp hose wormdrive .25-0.62 .31W

## SBS Route side brush wire harness. - Option

Comments:

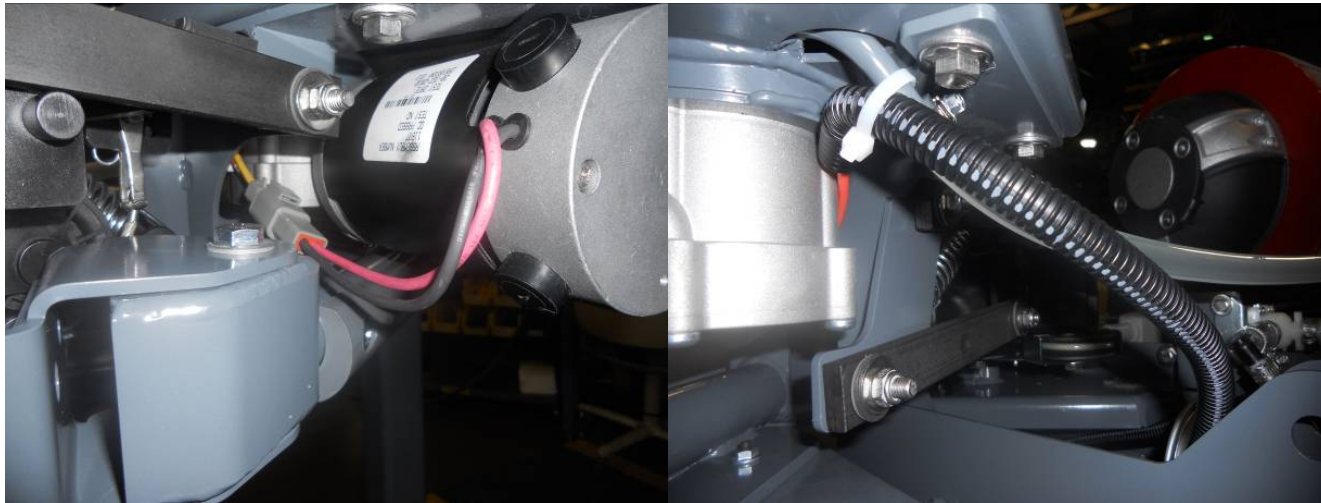


Special Tools:

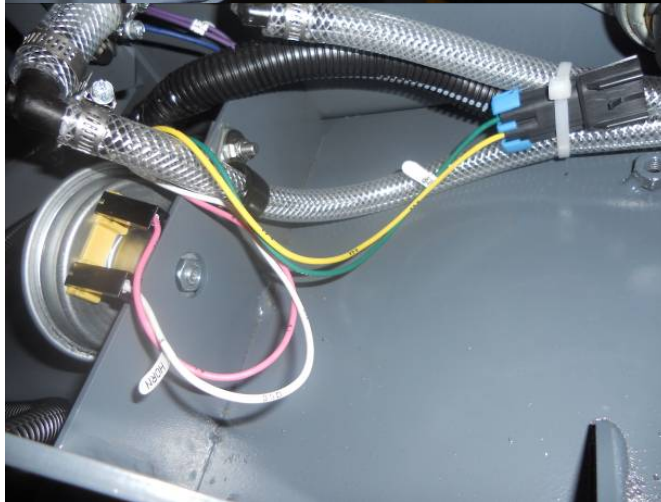
<b>Item #</b>	<b>Qty</b>	<b>Part #</b>	<b>Description</b>
	1	1058537	Clip wire snap in .47D

**SBS Route side brush wire harness. - Option**

Comments:



Special Tools:

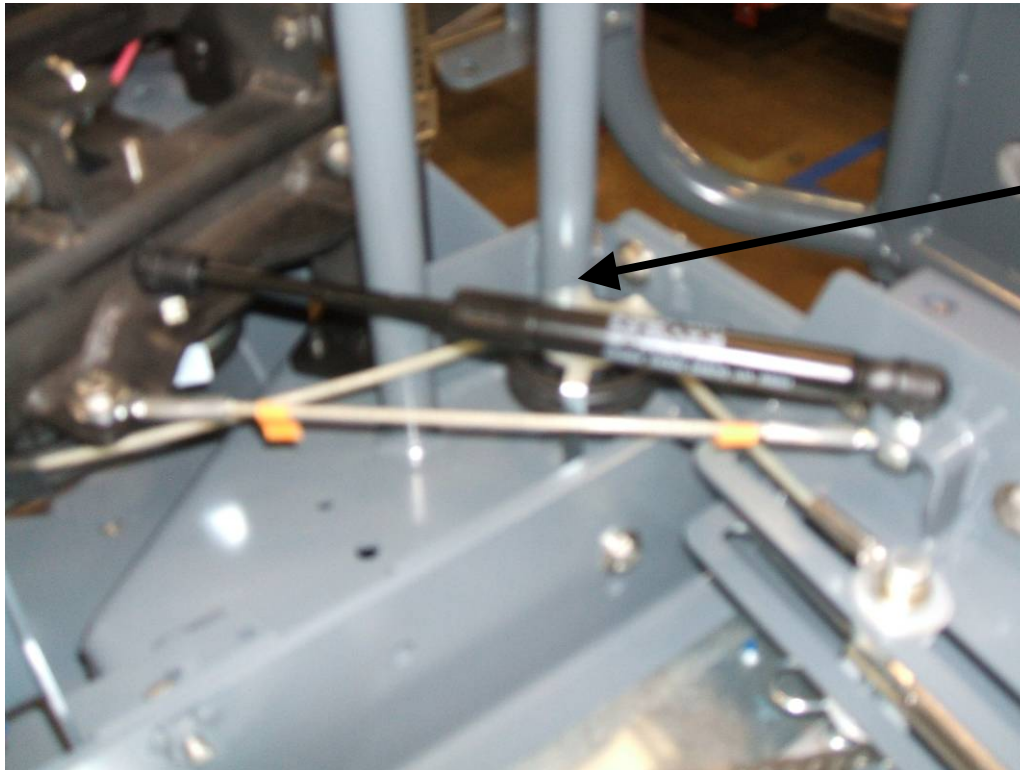


<b>Item #</b>	<b>Qty</b>	<b>Part #</b>	<b>Description</b>
	2	49266	Cable ties

**SBS Attach Gas charger shock – STATION A**

**Comments:**

- *Disconnect cable fastners.*
- *Attach gas charged sping to studs.*
- *Use side brush assy to collapse spring.*
- *Attach cable fastners.*



**1**

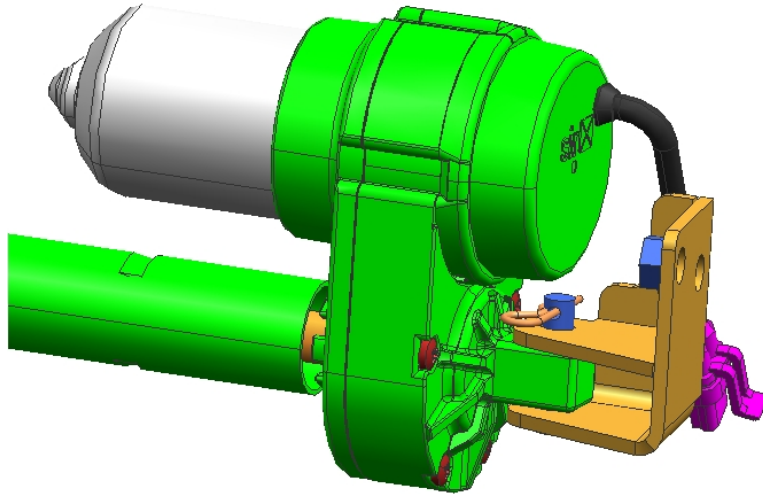
**Special Tools:**

<b><i>Item #</i></b>	<b><i>Qty</i></b>	<b><i>Part #</i></b>	<b><i>Description</i></b>
1	1	1051379	Gasspring, 90lbs, 3.9 Strk

**SBS Attach Actuator –Rear bracket – STATION A**

Comments:

o -



Special Tools:

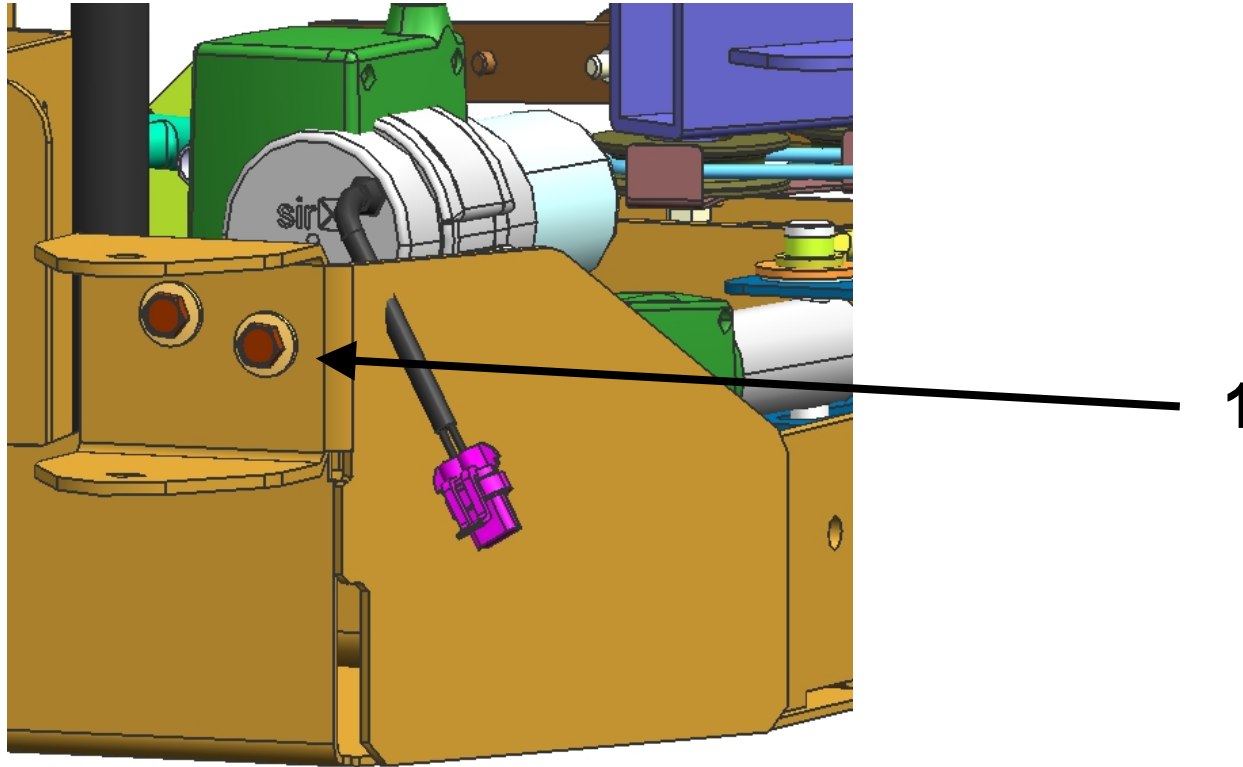


<b>Item #</b>	<b>Qty</b>	<b>Part #</b>	<b>Description</b>
	1	1057841	Actuator 6.0 stroke
	1	1057905	Bracket wldt Actuator SBA
	1	94877	Pin, Clvs, 10mmD x 0.50mml
	1	44906	Pin, ctrr, hair, 0.38D .093 wir

**SBS Attach Actuator –to frame – STATION A**

Comments:

o



Special Tools:

18.5 -24 Nm  
5020 #6 Violet  
13mm socket

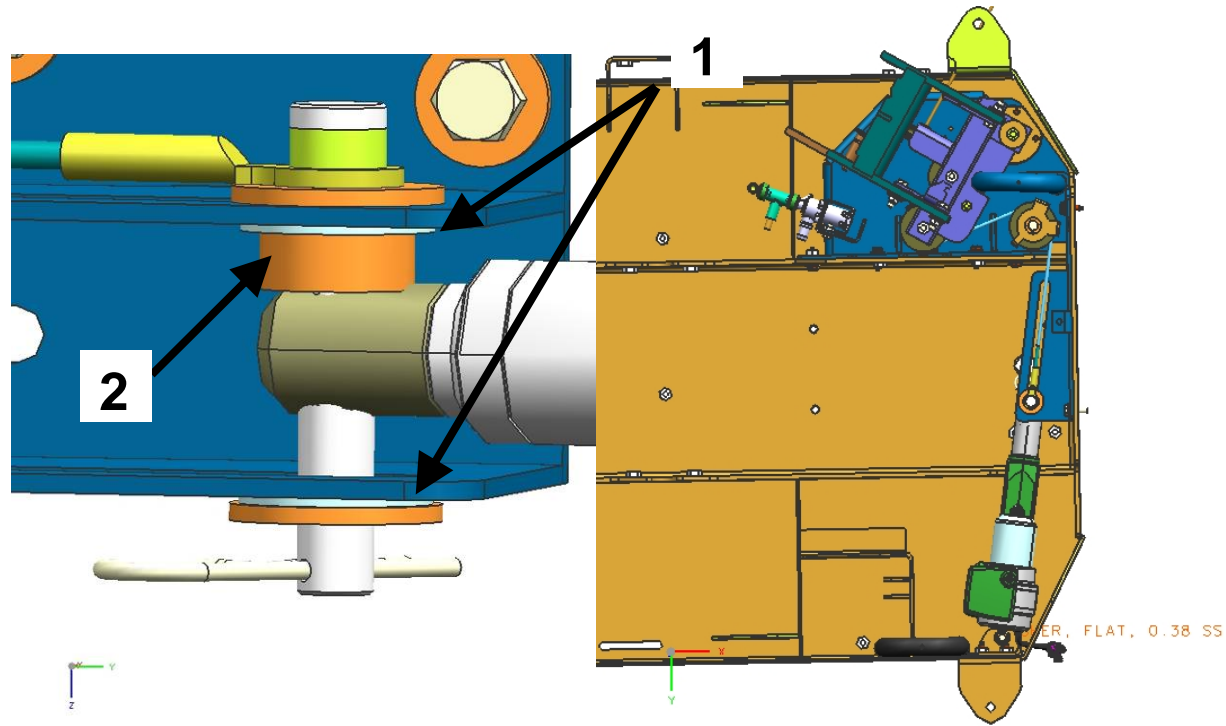


<b>Item #</b>	<b>Qty</b>	<b>Part #</b>	<b>Description</b>
1	2	09010	Scr Hx M8x1.25x25 SS
	2	01685	Washer .31 SS

## SBS Attach Actuator – clevis pin – STATION A

Comments:

o



Special Tools:

Power supply to power actuator out.

<i>Item #</i>	<i>Qty</i>	<i>Part #</i>	<i>Description</i>
	1	23683	Pin Clevis .5Dx3.00L
	1	140145	Bushing
	2	32493	Washer flt 0.50 Std
1	2	86952	Wshr, Flt, 0.52B 1.25D .06, Nyl
2	1	1007705	Washer Flt 0.50B 1.00D .38 Stl PL
	1	02942	Pin hair cotter 0.62D .120 wir



**Option: Bumper kit front with Side brush Assy**

**Comments:**

- Position sub assembled Side brush.
- Insert four fastners through side brush wldt, frame and tighten into Angle mtg.



**Special Tools:**

5020  
13mm Socket  
#6 Violet bar

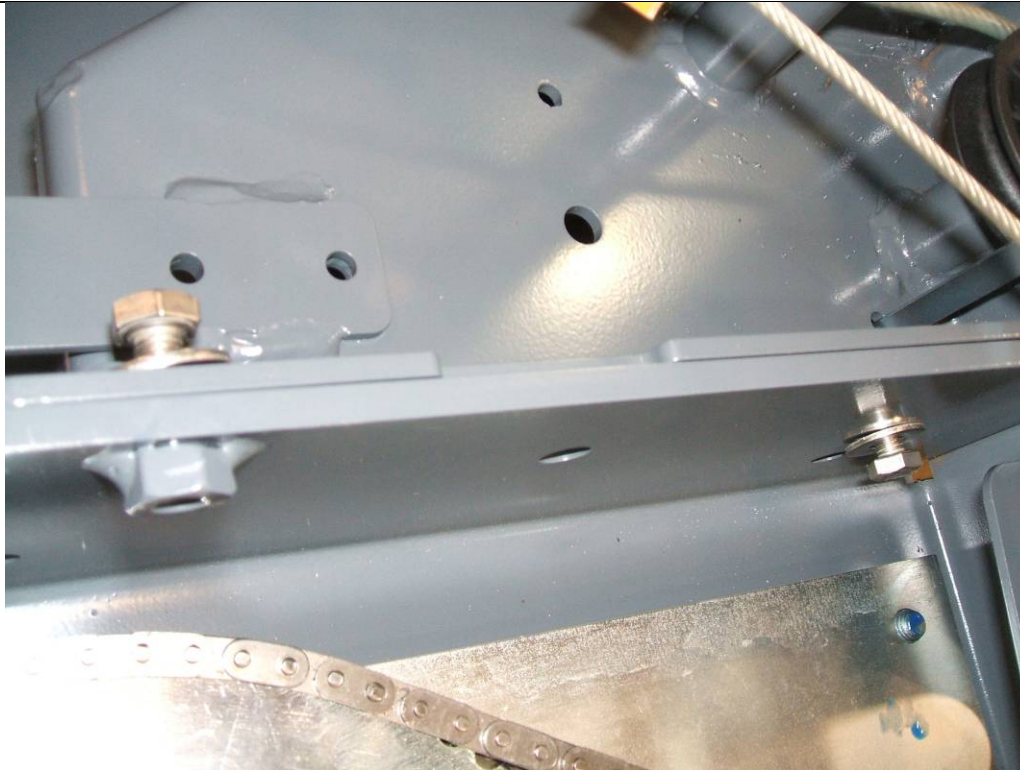
<b>Item #</b>	<b>Qty</b>	<b>Part #</b>	<b>Description</b>
	1	1058867	ANGLE, MTG
	5	09011	SCREW, HEX, M8 X 1.25 X 25 SS
	6	01685	WASHER, FLAT, 0.38B 0.8
	1	08713	NUT, HEX, LOCK, M8 X 1.25, SS



**Option: Bumper kit front with Side brush Assy**

Comments:

○



Special Tools:

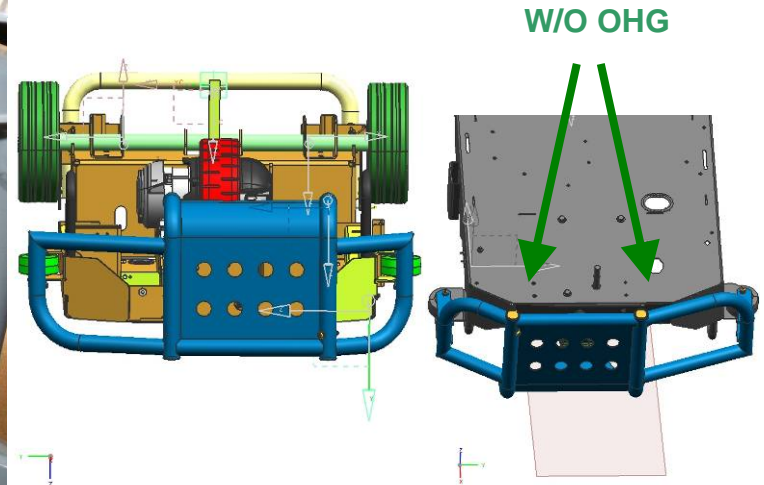
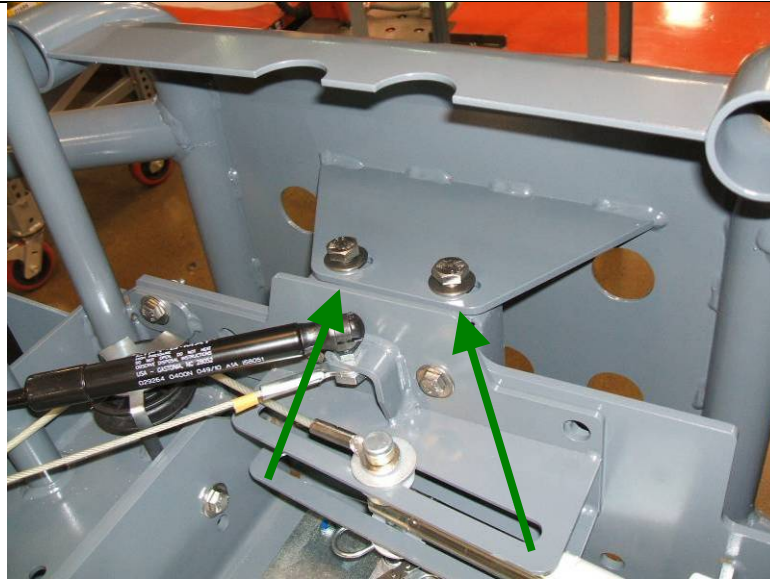
37-48 Nm  
5040  
#3 Yellow  
17mm socket

<b>Item #</b>	<b>Qty</b>	<b>Part #</b>	<b>Description</b>
	2	09010	SCREW, HEX, M8 X 1.25 X 25, SS
	2	08713	NUT, HEX, LOCK, M8 X 1.25 SS

**Option: Bumper kit front with Side brush Assy**

Comments:

- o Place screws but do not tighten.
  - o 9008060 BUMPER KIT, FRONT, w OHG FI [T16]
  - o 9006922 BUMPER KIT, FRONT, W/O OHG, FI [T16]
- Add two plugs



Special Tools:

Item #	Qty	Part #	Description
1	1	1054499	BUMPER WLDT, TUBE
	2	09028	SCREW, HEX, M10 X 1.50x25 SS
	2	01686	WASHER, FLAT, 0.44B 1.0
W/O OHG	2	1058397	PLUG, HOLE, RND, 1.50H

**Option: Bumper kit front with Step / guard.**

Comments:

○



Special Tools:

10MM SS & Sems:  
37-48 Nm  
5040 #3 Yellow  
17MM swivel socket

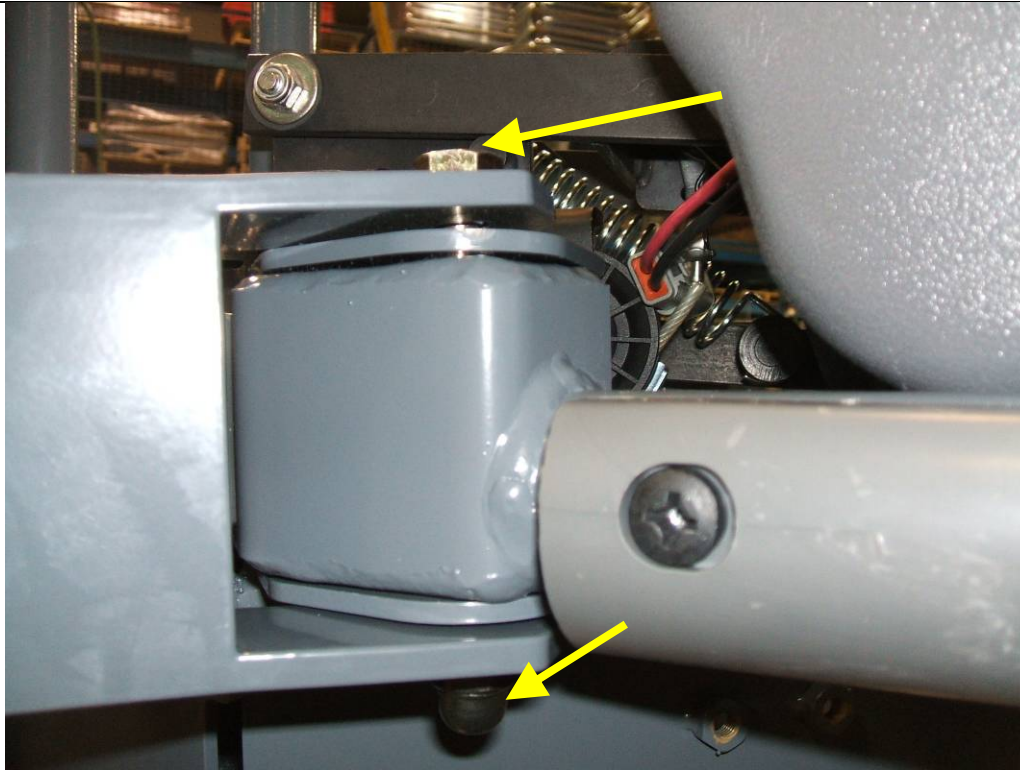
<b>Item #</b>	<b>Qty</b>	<b>Part #</b>	<b>Description</b>
1	2	09028	Scr Hx M10x1.5x2.5 SS
1	2	01686	Washer Flt 0.38 SS



**Option: Bumper kit front with Step / guard.**

Comments:

○



Special Tools:

10MM SS & Sems:  
37-48 Nm  
5040 #3 Yellow  
17MM swivel socket

<i><b>Item #</b></i>	<i><b>Qty</b></i>	<i><b>Part #</b></i>	<i><b>Description</b></i>
	1	34877	Scr Hx M10x1.5x100, 8.8
	2	32492	Wshr, Flt 0.38 STD
	1	1057772	Nut, crown, M10x1.5, Blk



**Option: Bumper kit front with Side brush Assy wall roller**

Comments:

- Apply wall rollers.  
*Watch to not compress brackets and bind wall rollers*
- Return to center bumper fastners and tighten



Special Tools:

10MM SS & Sems:  
37-48 Nm  
5040 #3 Yellow  
17MM swivel socket

<b>Item #</b>	<b>Qty</b>	<b>Part #</b>	<b>Description</b>
	1	1054100	Wheel, 4.0, D
	1	34877	Scr Hx M10x1.5x100, 8.8
	2	32492	Wshr, Flt 0.38 STD
	1	1057772	Nut, crown, M10x1.5, Blk

**After frame rotates –Cover and squeegee assembly**

Comments:

- After rotating frame place cover.



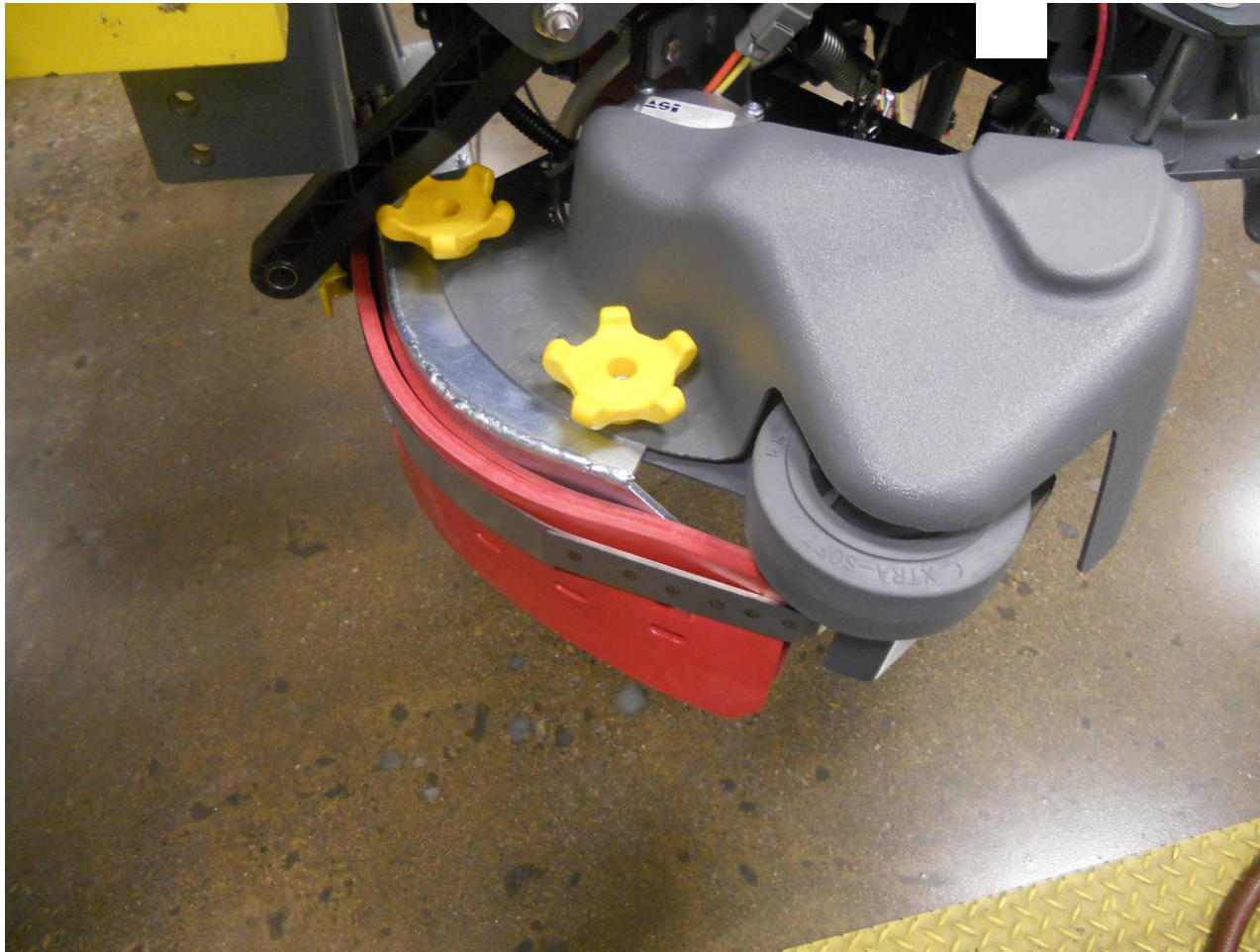
Special Tools:

<b>Item #</b>	<b>Qty</b>	<b>Part #</b>	<b>Description</b>
	1	1057165	Cover motor (Trimmed)

## Side Brush Attach squeegee assy

### Comments:

- Install squeegee assembly-
- Install two yellow knobs
- Note: Squeegee was sub assembled ealier.



### Special Tools:

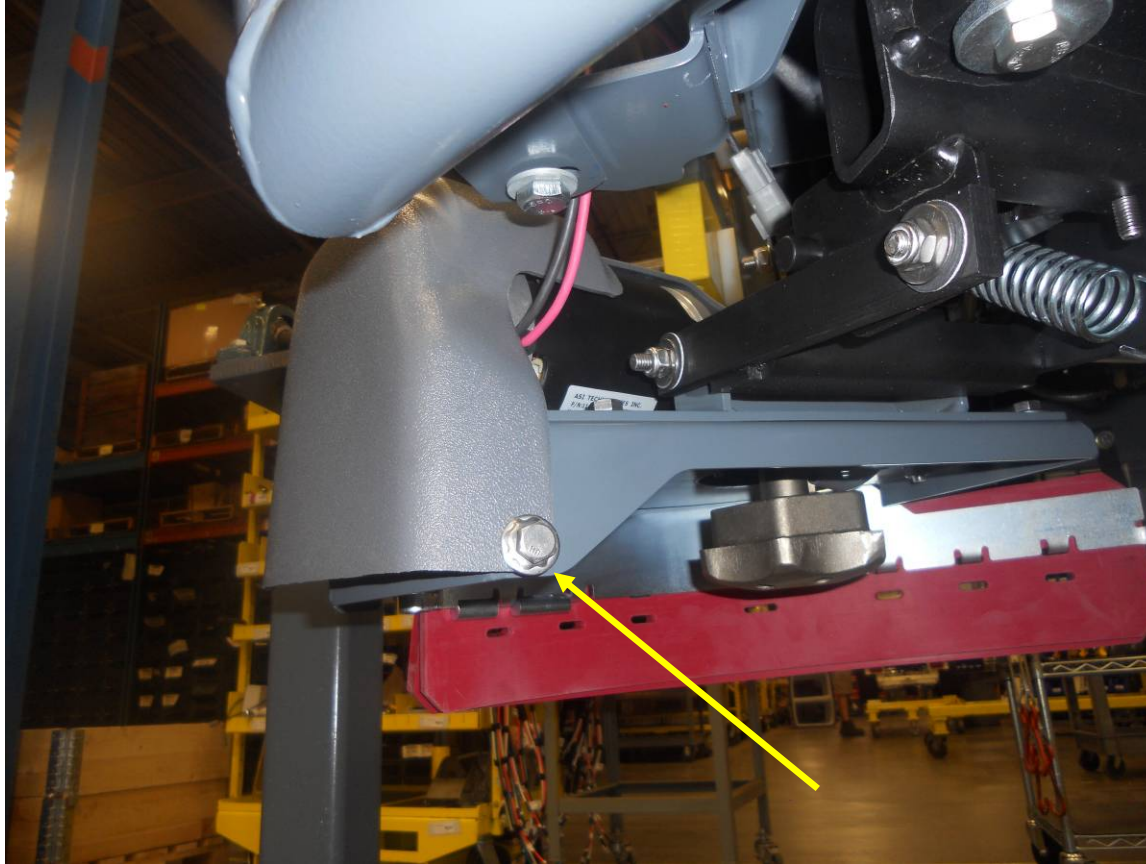
<b>Item #</b>	<b>Qty</b>	<b>Part #</b>	<b>Description</b>
	2	1054948	Knob M8 x 1.25



## Install Side brush cover fastner

Comments:

o



Special Tools:

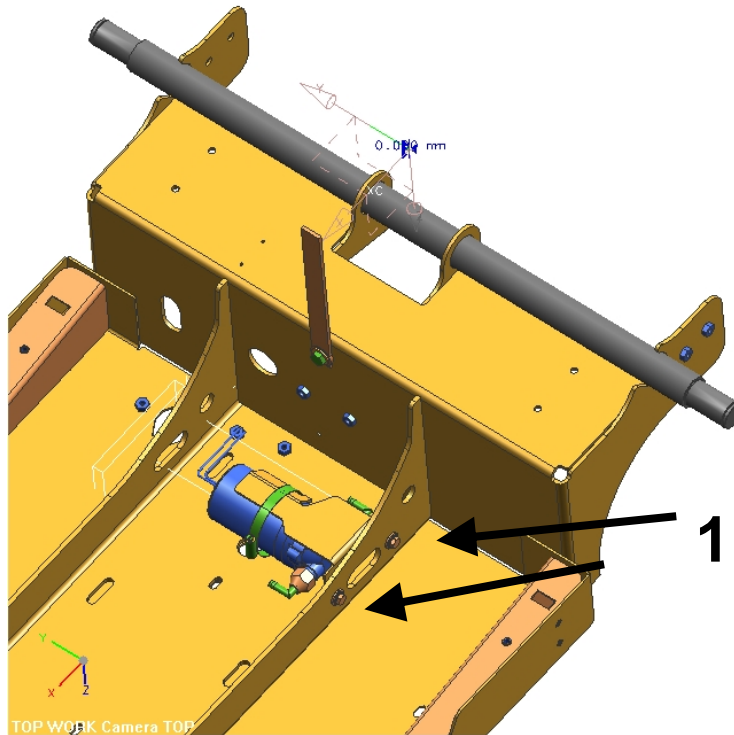
<i>Item #</i>	<i>Qty</i>	<i>Part #</i>	<i>Description</i>
	1	1020341	SCREW, HEX, M8 X 1.25 X



**Option: Fast or ECH20 pump Assy to frame with Side Brush Scrub**

**Comments:**

- o Mount ECH20 pump first.
- o Then mount side brush pump.



View: fast350

**Special Tools:**

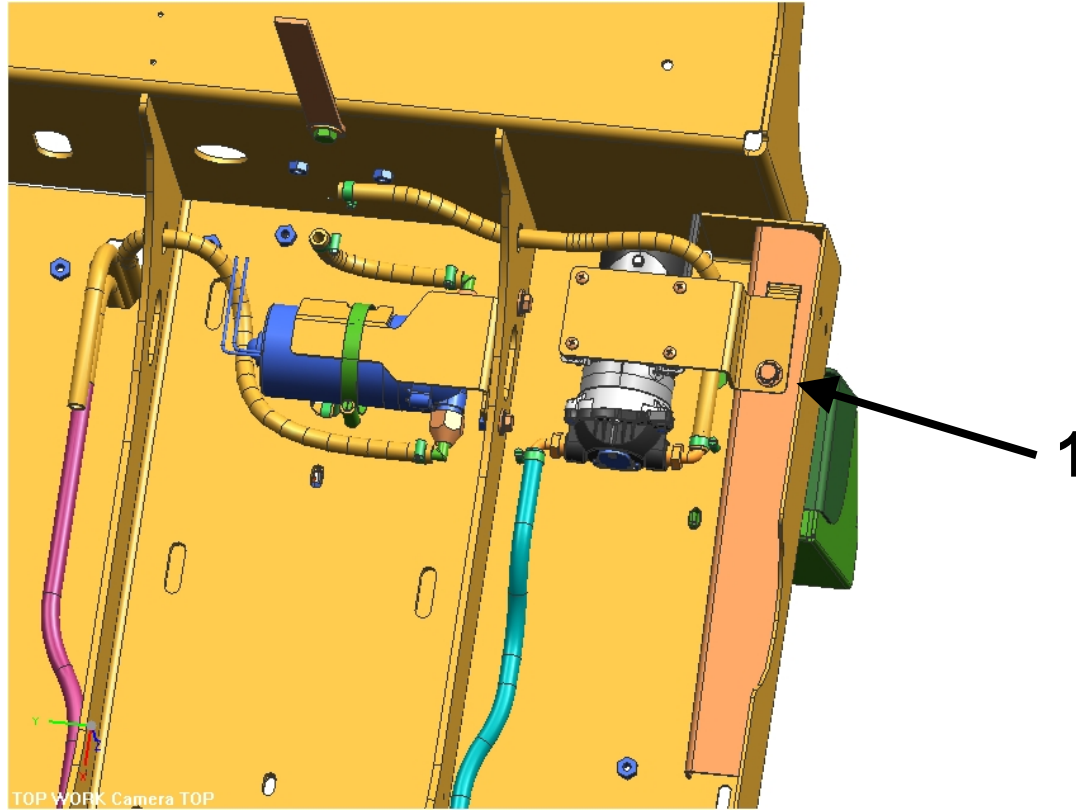
- 18.5-24Nm
- 5020
- #6 violet
- 13mm socket

<b>Item #</b>	<b>Qty</b>	<b>Part #</b>	<b>Description</b>
1	2	1020341	Scr Hx M8x1.25x20 SS Sems Sq

## SBS Mount solution pump assy to frame – Station A

### Comments:

- SBS Plumbing
- If machine gets Fast, EC-H20, or ES mount center pump first.
- 



### Special Tools:

18.5-24Nm  
5020 #6 Violet  
13MM socket

View:sbs320

<b>Item #</b>	<b>Qty</b>	<b>Part #</b>	<b>Description</b>
1	1	1020341	Scr, Hx, M8x1.25x20 SS Sems

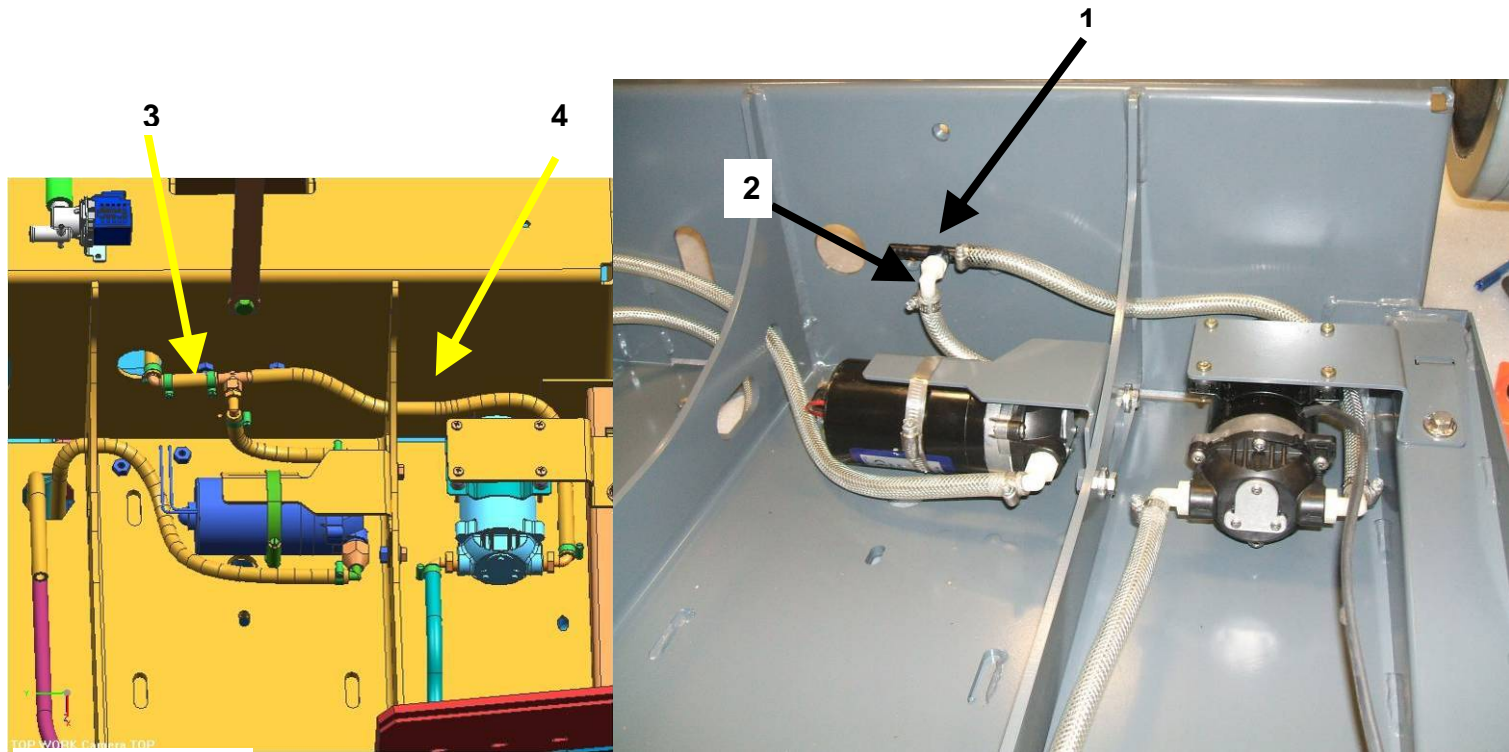
**Option: Hose routing SB Scrub & EC or Fast.**

**Comments:**

- 1) 90 Ftg to T fitting
- 2) T fitting with 90 fitting.
- 3) Hose assy Fast / ECh20 pump through frame
- 4) T fitting to Side brush scrub pump 20"

9008096 Fast Disk with SBS  
 9008098 Fast Cyl with SBS  
 9008028 ECH20 Disk with SBS  
 9008118 ECH20 Disk with SBS

- o **Special Tools:**  
 No leaks on plastic to plastic fittings



View: A400

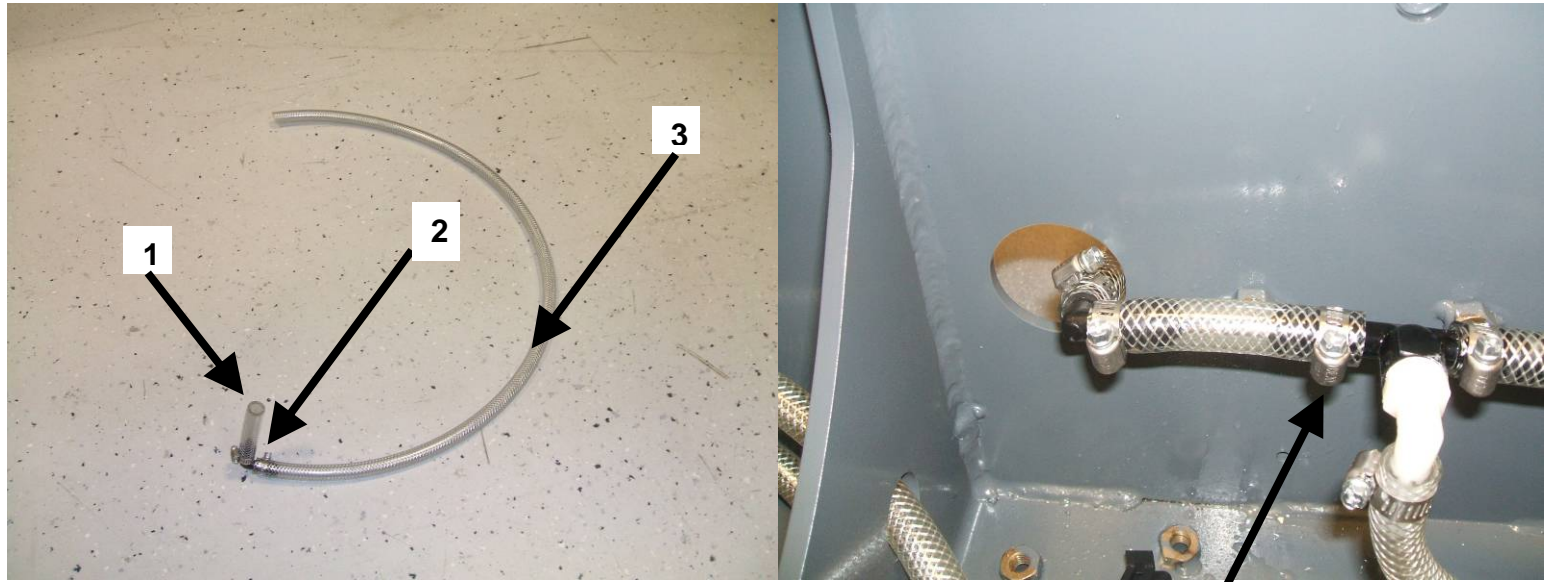
<b>Item #</b>	<b>Qty</b>	<b>Part #</b>	<b>Description</b>
3	3"	376720	Hose Pvc Brd .381D
4	20"	376720	Hose Pvc Brd .381D
	3	43844	Clamp hose worm drive.25-.62D
1	1	1017197	Fitting Plstc T Bm06/PF04/Bm06 Nyl
2	1	57248	Ftg Plstc E90 BM06/PM04 Nyl

**Option: Hose routing SB Scrub & EC H20 or Fast.**

**Comments:**

- Cut hose from bulk material 376720.
- 1) Hose 3"
- 3) Hose 15"

**Hose on back side of frame**



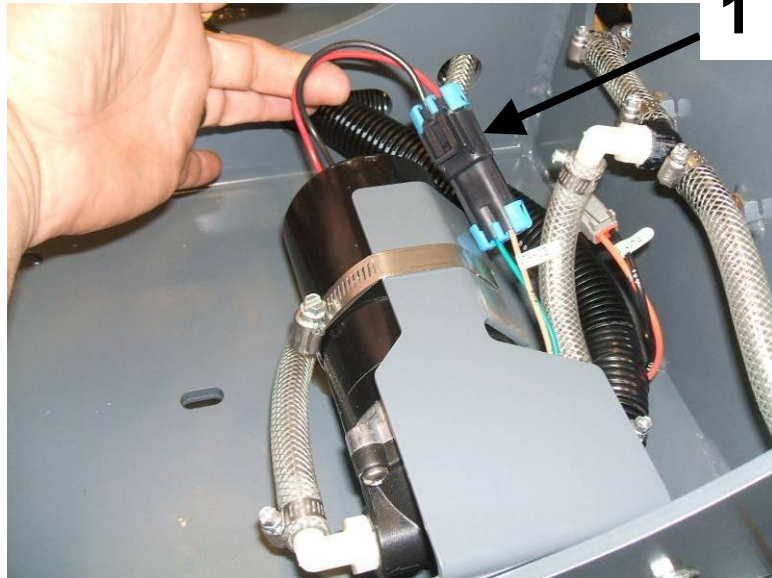
**Special Tools:**

<b>Item #</b>	<b>Qty</b>	<b>Part #</b>	<b>Description</b>
1	3"	376720	Hose Pvc Brd .381D
2	1	20951	Ftg Plstc E90 BM06/BM06
3	15"	376720	Hose Pvc Brd .381D
	3	43844	Clamp hose worm drive.25-.62D

## Main harness - Leads to Pumps

### Comments:

- 1) EC-H2O pump  
– Label EC-H2O pump
- 2) Side brush scrub.
- Capacitor/  
Diode



### Special Tools:

View: UML#\_10

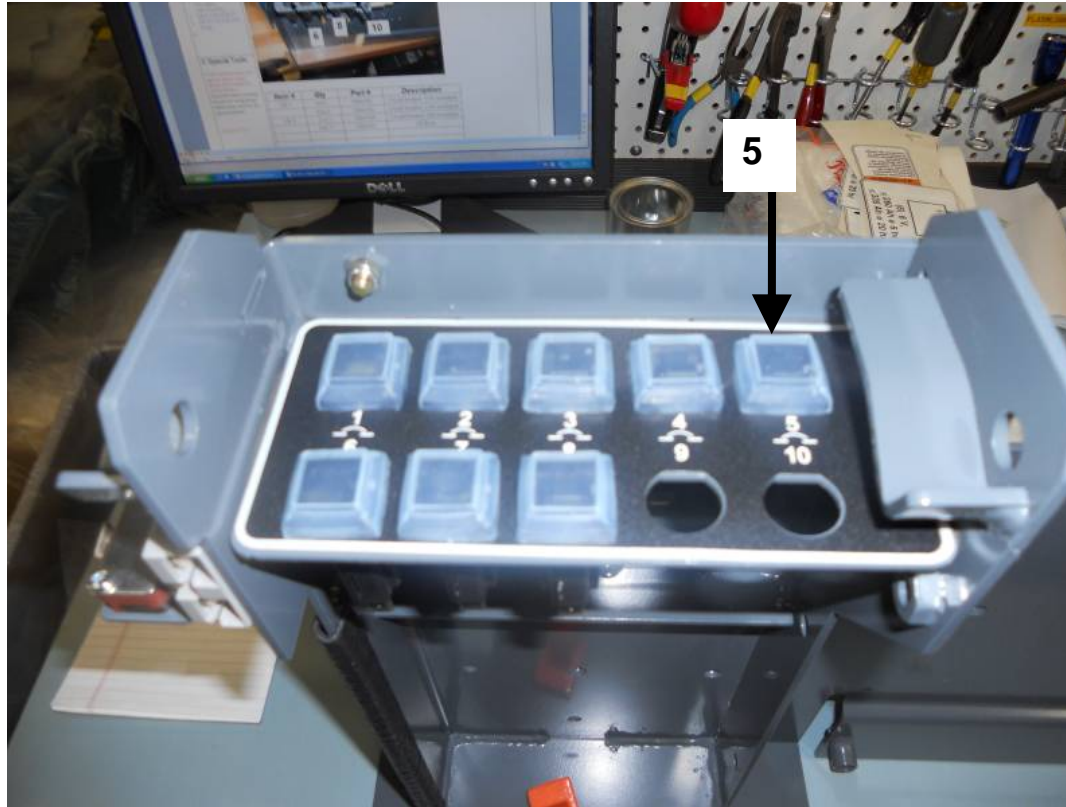
Item #	Qty	Part #	Description

View: UML#\_10A

**Option: CB-5 ECH20 Side Brush or ES Detergent metering**

**Comments:**

- EC H20 Side brush
- Or
- ES Detergent Metering
- 



**C Special Tools:**

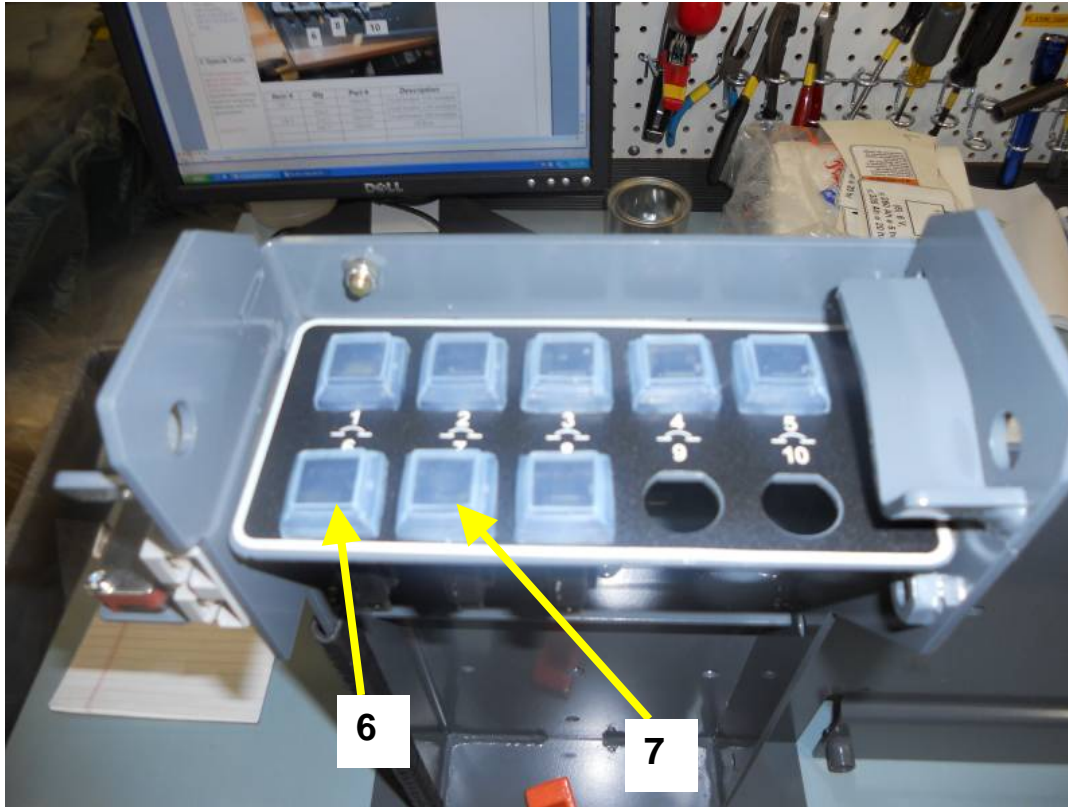
*If the machine does not get the option listed above don't install the circuit breaker*

<b>Item #</b>	<b>Qty</b>	<b>Part #</b>	<b>Description</b>
CB-3	1	1064184	Circuit breaker 2.5A resetable
	1	1064191	CB Boot

**Option: CB- 6 Side Brush Scrub water valve CB – 7 Fast / ES pump.**

**Comments:**

- *CB-6 2.5A Side brush scrub water valve,*
- *CB-7 15A Fas Pump or ES Pump*



**C Special Tools:**

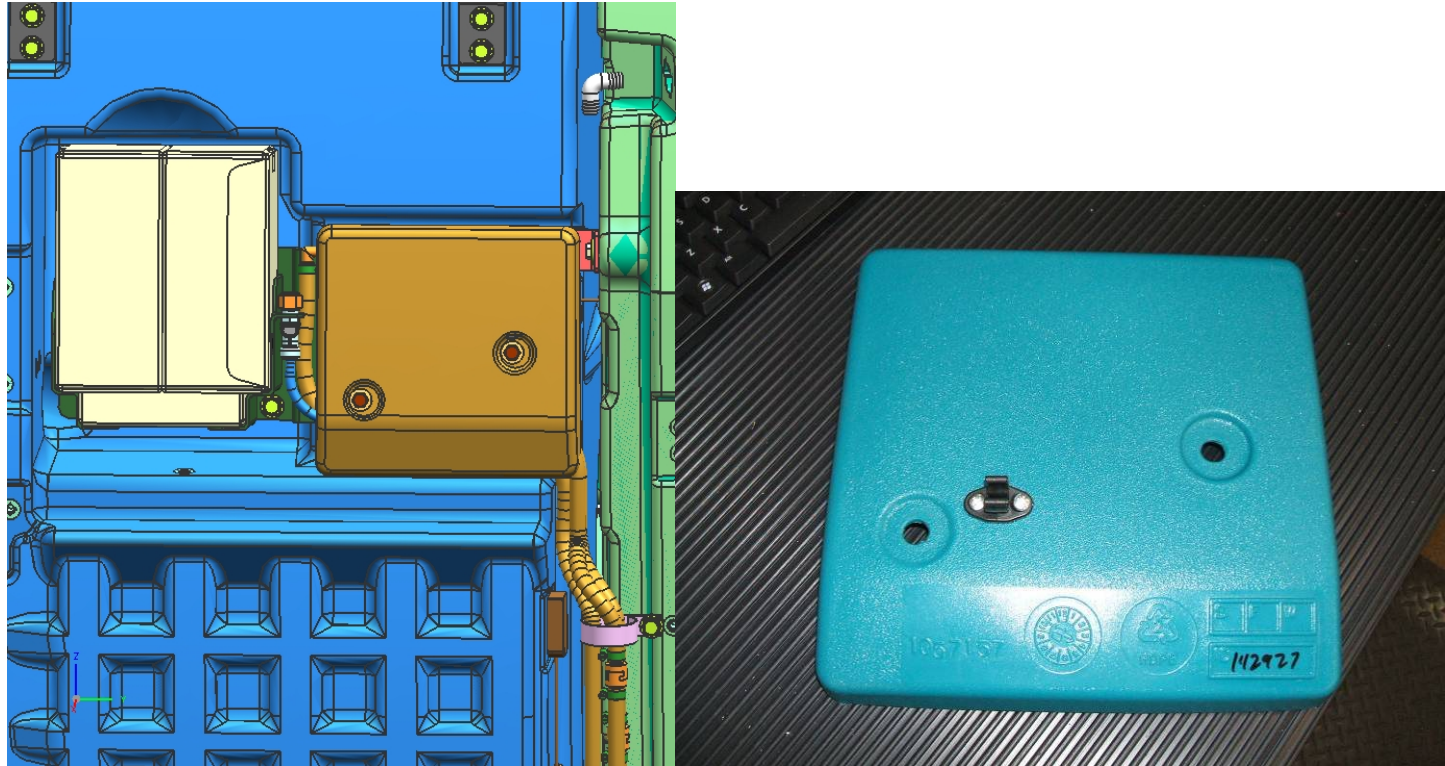
<b>Item #</b>	<b>Qty</b>	<b>Part #</b>	<b>Description</b>
CB-6	1	1064184	Circuit breaker 2.5A resetable
	1	1064191	CB Boot
CB-7	1	1064188	Circuit breaker 15A resetable
	1	1064191	CB Boot



**Option: Fast Cover & Hose clamp**

Comments:

○



Special Tools:

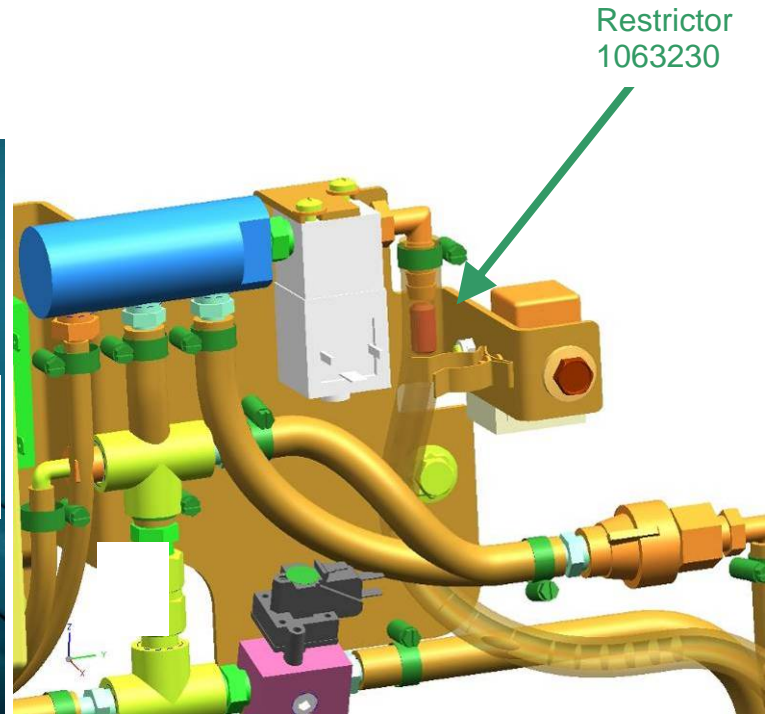
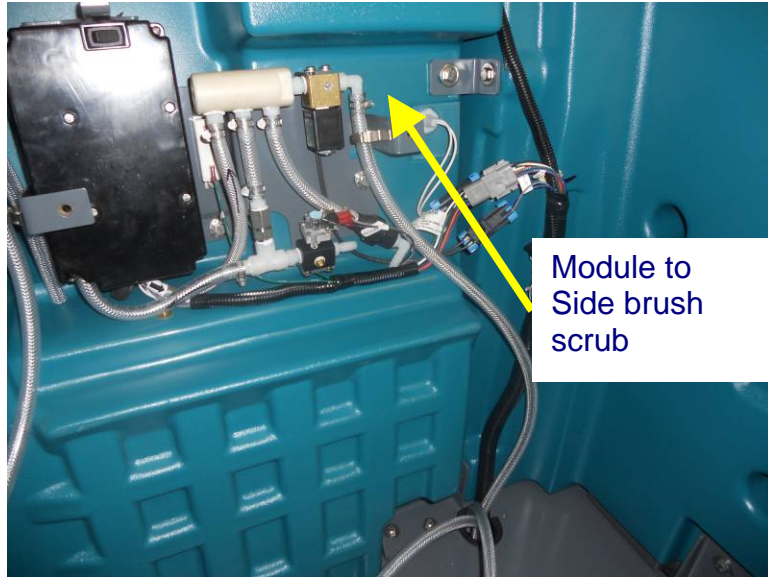
13mm Socket  
18.5-24 Nm  
5020  
#6 Violet

<i>Item #</i>	<i>Qty</i>	<i>Part #</i>	<i>Description</i>
1	1	1057157	Cover pocket trimmed
	2	1037346	Scr Hx M8x1.25, 9.8 Sems
	1	1011895	Clamp cable Stl 2.00D
	1	1020341	Scr Hx M8x1.25x20, SS
Fast	2	06927	Scr, Hx, M4x0.7x16 4.8
	2	02850	Nut, Hx, Lock M4x0.7 NL
	1	1061002	Clip rod

**Option: Install ECHO with Side brush assembly – restrictor Side Brush Scrub**

Comments:

- 
- insert Restrictor 1063230



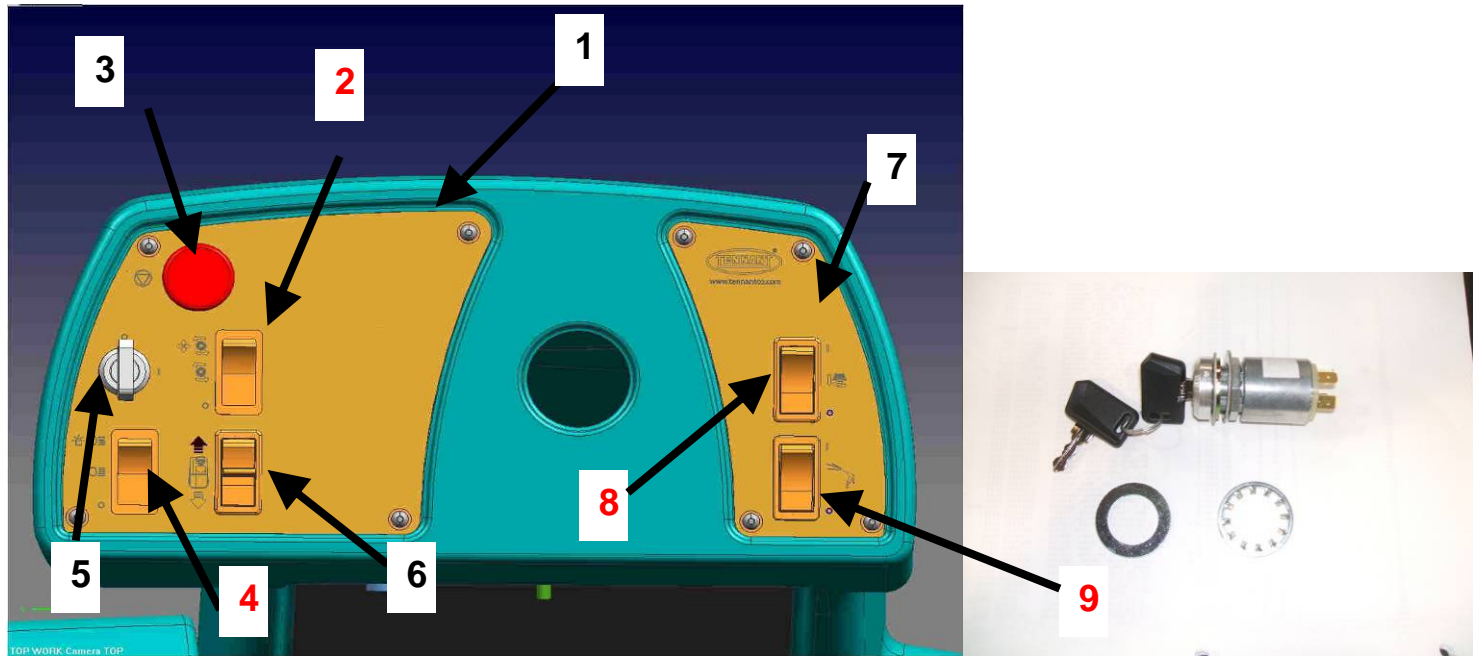
Special Tools:

<i>Item #</i>	<i>Qty</i>	<i>Part #</i>	<i>Description</i>
	1	1063230	Restrictor
	1	43844	Clamp hose wormdrive 0.25-0.62D .31W

## Assembly – Switch panels.

### Comments:

- Apply labels first.
- Standard parts
- 1,3,5,6,7
- **Options**
  - 2) Pre-sweep
  - 4) Lights
  - Center head light
  - Presweep lights
  - OHG flisch lights
  - Light module
- 8) Side brush
- Scrub 9008038
- Sweep 9008526
- 9) 9008042 Hose, kit, spray, FI
- PARTS KIT, W/O SPRAY HOSE, FI [T16] 9008113
- PARTS KIT, W/O SBA, FI [T16] 9008051



### Special Tools:

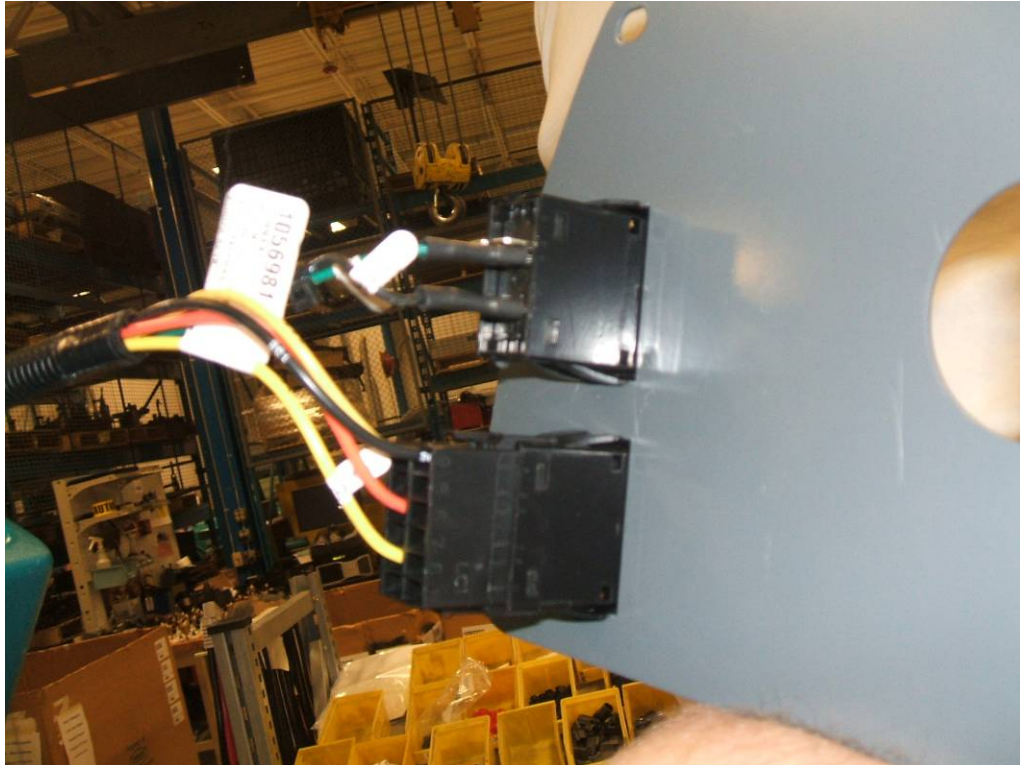
*Plug holes on machines without listed options*

Item #	Qty	Part #	Description
2	1	377084	Swt Rocker progressive
3	1	1011735	Swt safety shutoff
4	1	377084	Swt Rocker progressive
5	1	361076	Swt ignition
Above panel	1	82226	Washer
Below panel	1	1063931	7/8 Int Lock washer Zinc
6	1	1058679	Swt Rocker DPDT
8	1	397889	Swt rocker DPST
9	1	398500	Swt Rocker DPDT (Lighted Swt)
2, 4, 8, 9.	0 to 4	398501	Plug, hole, rt, rocker

**Options: Connect SBS switch leads & Power Wand plug**

**Comments:**

- Side brush scrub  
Scrub 9008038  
Sweep 9008526
  - 55/Grn –ter #6
  - 13/Blk – ter #8
  
  - 9008042 Hose, kit,  
spray,FI
- Spray Wand Switch**  
12 pin plug labeled  
Vac wand switch.



**Special Tools:**

<i>Item #</i>	<i>Qty</i>	<i>Part #</i>	<i>Description</i>