



# INSTRUCTION BULLETIN

No. 340767  
Machine: T7 / SSR  
Published: 11-2009  
Rev. 03

**NOTE: DO NOT DISCARD the Parts List from the Instruction Bulletin. Place the Parts List in the appropriate place in the machine manual for future reference. Retaining the Parts List will make it easier to reorder individual parts and will save the cost of ordering an entire kit.**

*NOTE: Numbers in parenthesis ( ) are reference numbers for parts listed in Bill of Materials.*

Installation instructions for **kit number 9006882**

## SYNOPSIS / PROBLEM:

This kit contains the parts needed to replace the circuit board on T7 / SSR scrubbers.  
Please follow step-by-step instructions.

## SPECIAL TOOLS / CONSIDERATIONS: NONE

(Estimated time to complete: 1.5 hours)

## PREPARATION:

1. Park the machine on a clean level surface.
2. Turn off the machine and remove the key.

**FOR SAFETY: Before leaving or servicing machine, stop on level surface, turn off machine, and remove key.**

3. Unplug the positive battery cable at the red connector.



**WARNING: Always disconnect battery cables from machine before working on electrical components.**

4. Disconnect the operator seat connector from the main wire harness and remove the seat from the machine. Refer to Fig. 5.
5. Disconnect and remove the FaST Pak from the machine (machines equipped with the FaST scrubbing system only). Refer to Fig. 5.
6. Remove the FaST Pak compartment from the machine. Refer to Fig. 5.
7. Remove the battery compartment shroud from the machine. Set the shroud and hardware aside. Refer to Fig. 5.

## INSTALLATION:

**(Refer to Fig. 4 for the remainder of this Instruction Bulletin unless otherwise noted)**

1. Remove the six bolts (A) and washers (B) from the electrical panel cover (C) and remove the circuit board cover from the control panel weldment (F).
2. Remove connector (G) from the circuit board.
3. Remove bolt (D) and washer (E) from the control panel weldment (F).
4. Remove connectors (H), (J), and (K) from the circuit board.
5. Tilt the circuit board/control panel weldment (F) out as shown in Fig. 1.

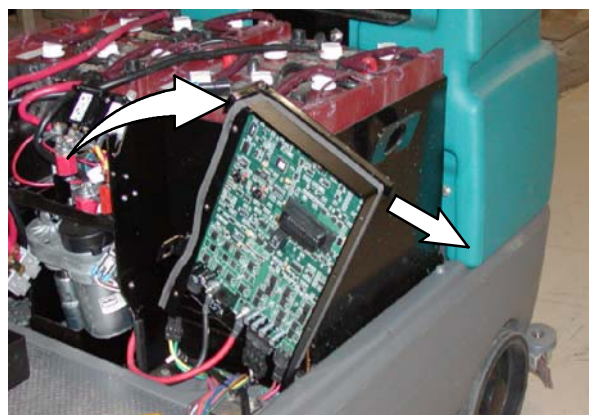
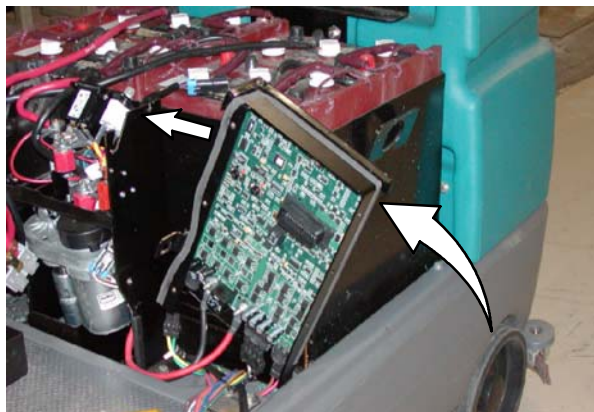


FIG. 1

6. Remove the positive (+) red power cable (L) and the negative (-) black power cable (M) from the circuit board and remove the circuit board from the machine.
7. Put on the disposable static ground strap (11) and attach the other end of the ground strap to the frame of the machine. Wear the static ground strap through Step 13.

**NOTE:** The ground strap prevents static electricity from damaging the circuit board. **Always wear a ground strap whenever handling the circuit board or other electronic components that could possibly be damaged by static electricity.**

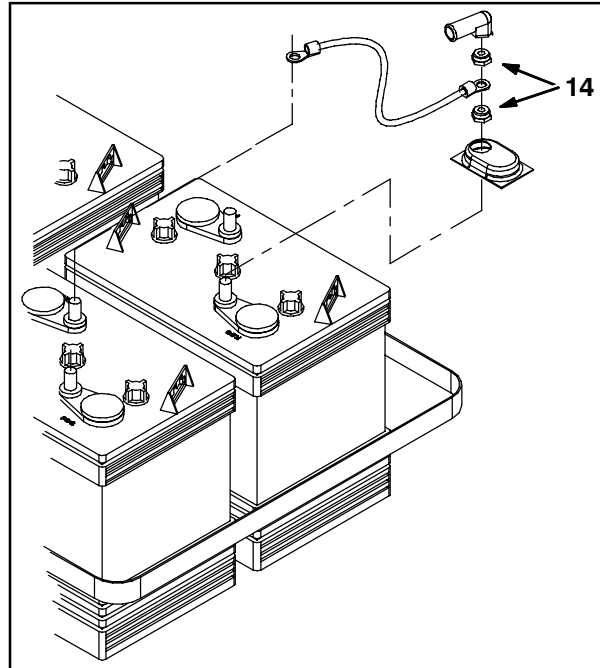
8. Install the new circuit board (1)/control panel weldment (10) onto the machine. Position the circuit board/control panel weldment as shown on Fig. 1.
9. Use two hex nuts (4), three flat washers (5), and one lock washer (6) to install the positive (+) red power cable (L) onto the positive terminal on the circuit board (1). Torque both nuts to 33 in/lbs. Be sure parts are installed as shown in Fig. 4.
10. Use two hex nuts (4), three flat washers (5), and one lock washer (6) to install the negative (-) black power cable (M) onto the negative terminal on the circuit board (1). Torque both nuts to 33 in/lbs. Be sure parts are installed as shown in Fig. 4.
11. Slide the circuit board (1)/control panel weldment (10) down into position. Refer to Fig. 2.



**FIG. 2**

12. Connect connectors (H), (J), and (K) from the wire harness to the circuit board (1).
13. Connect connector (G) to the circuit board (1).

14. Place the electrical panel cover (C) back onto the control panel weldment (10) and use the set aside bolts (A) and washers (B) to secure the electrical panel cover on the control panel weldment.
15. Check all battery, live contact, and fuse connections. It should not be possible to move these cables by hand. If necessary, replace the existing battery cable nuts with the provided lock nuts (14). Refer to Fig. 3.



**FIG. 3**

16. Place the battery compartment shroud onto the machine and reinstall the hardware to secure the shroud onto the machine. Refer to Fig. 5.
17. Reinstall the FaST Pak compartment. Refer to Fig. 5.
18. Reinstall the FaST Pak (for machines equipped with the FaST scrubbing system only). Refer to Fig. 5.
19. Reinstall the operator seat onto the machine and connect the operator seat cable to the main wire harness. Refer to Fig. 5.
20. Reconnect the battery cables.
21. Test machine to ensure it operates properly.

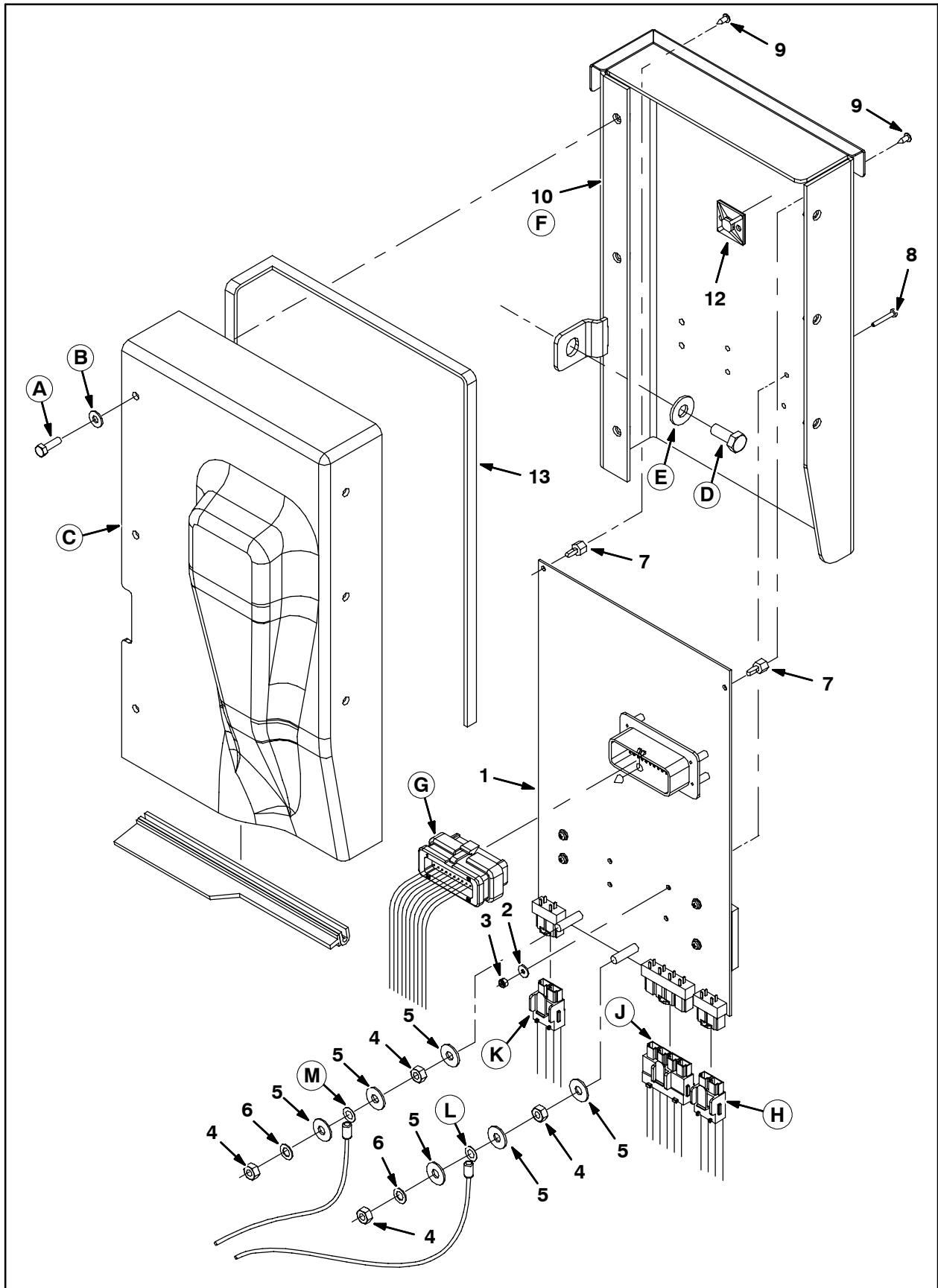


FIG. 4

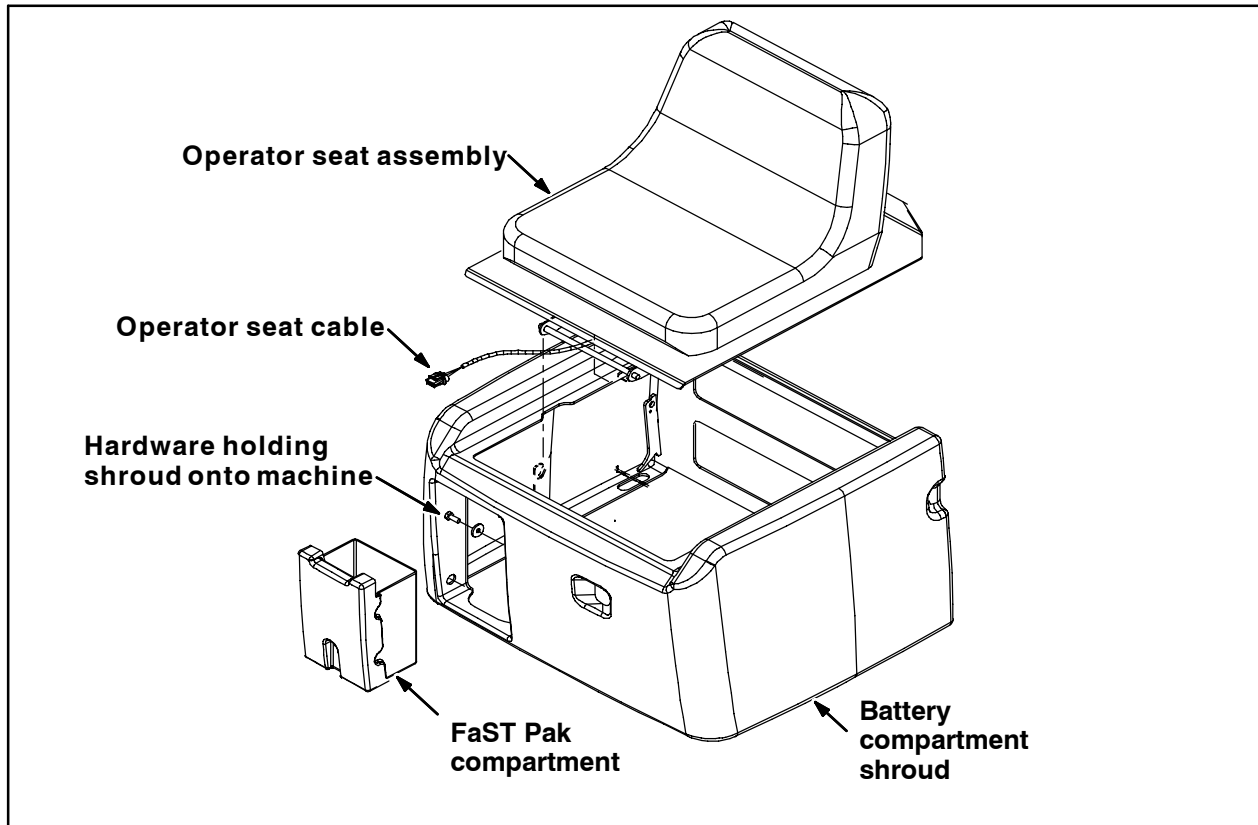


FIG. 5

**Bill of Materials for Controller Kit, Replmt, [T7] / [SSR]-(9006882)**

Ref.	Tennant Part No.	Description	Qty.	
▽	9006882	Controller Kit, Replmt, [T7] / [SSR]	1	
▲	1	1058103	Circuitboard, Logic, [T7]*	1
▲	2	1019218	Washer, Flat, 0.14B 0.31D, Nyl*	3
▲	3	579211	Nut, Hex, Lock, M3 X .5, SS*	3
▲	4	07785	Nut, Hex, Std, M6 X 1.0, A2, SS	4
▲	5	01684	Washer, Flat, 0.25 SS	6
▲	6	32982	Washer, Lock, Int, 0.25	2
▲	7	1016825	Support, Circuitboard*	2
▲	8	06922	Screw, Pan, M3 X 0.5 X 20, 4.8*	4
▲	9	3701.6	Screw, Pan, #06-32 X 0.38, Phl SS Shtmtl*	2
▲	10	1017754	Panel Wldt, Cntrl*	1
▲	11	27964	Strap, Static, Ground, Disposable	1
▲	12	55248	Mount, Cable Tie*	1
▲	13	1017880	Seal, Strip, Adh*	1
▲	14	87435	Nut, Hex, Flexlock, .31-18	8

\* Items are pre-assembled with the logic circuit board (1) and the control panel weldment (10) and require no further assembly.

TENNANT COMPANY  
P. O. Box 1452  
Minneapolis, MN 55440-1452