



NOTE: DO NOT DISCARD the Parts List from the Instruction Bulletin. Place the Parts List in the appropriate place in your machine manual for future reference. Retaining the Parts List will make it easier to reorder individual parts and will save you the cost of ordering an entire kit.

NOTE: Numbers in parenthesis () are reference numbers for parts listed in Bill of Materials.

Installation instructions for **kit number 368642**

DESCRIPTION:

This kit contains the parts needed to install/replace a new canister kit on the model ATLV 4300 Litter Vacuum.

Please follow step-by-step instructions.

SPECIAL TOOLS / CONSIDERATIONS: NONE

(Estimated time to complete: 3 hours)

PREPARATION:

1. Empty the debris canister of any left over material.
2. Park the machine on a flat, level surface. Set the parking brake, and turn the machine off.

FOR SAFETY: Before leaving or servicing machine, stop on level surface and set parking brake. Then turn off machine and remove key.

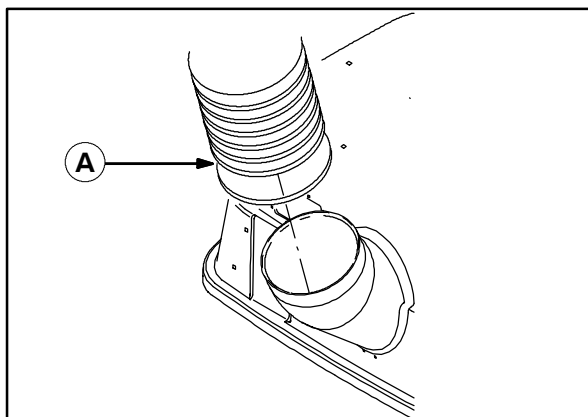
3. Disconnect the battery cables from the machine.



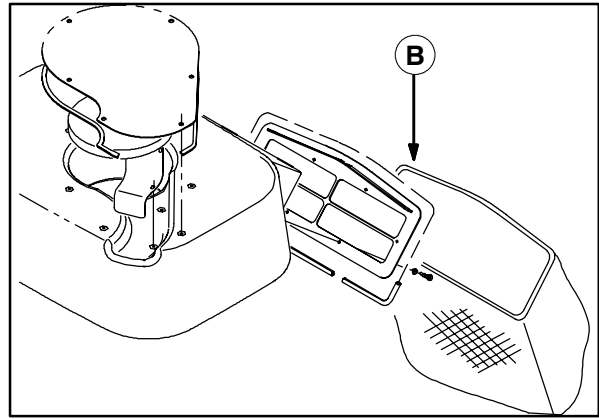
WARNING: Always disconnect battery cables from machine before working on electrical components.

INSTALLATION:

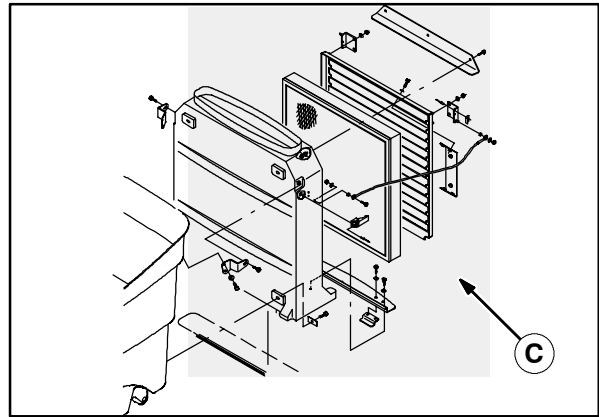
1. Disconnect the main vacuum hose (A) from the debris canister.
2. Disconnect the vacuum wand vacuum hose and mounting bracket from the debris canister. Set the vacuum hose out of the way of the debris canister.



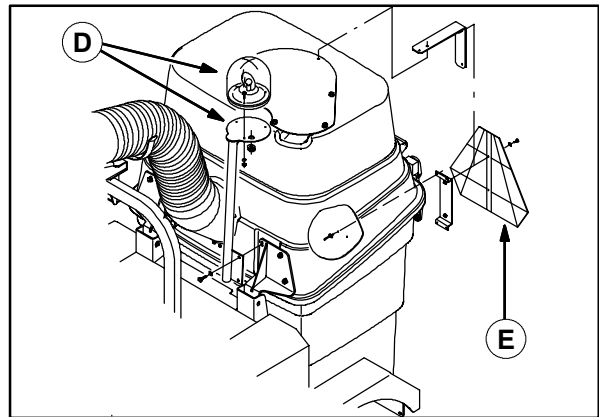
3. Remove and set aside the vacuum bag (B), dust filter bag (option) or dust filter housing assembly (option) (C) from the debris canister.



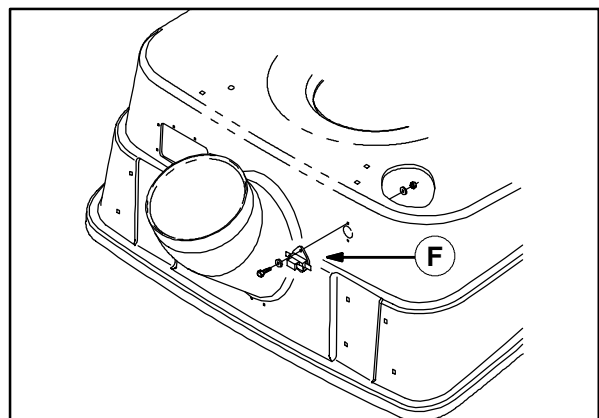
4. Remove and set aside the plastic bag holder (option) from the hopper cover.



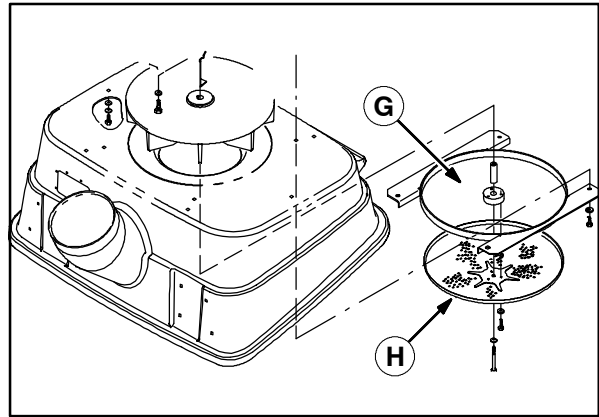
5. Disconnect, remove and set aside the warning light (option) (D) and slow moving vehicle plate (option) from the debris canister.



6. Disconnect, remove and set aside the Thermo Sentry™ (option) (F) from the debris canister.

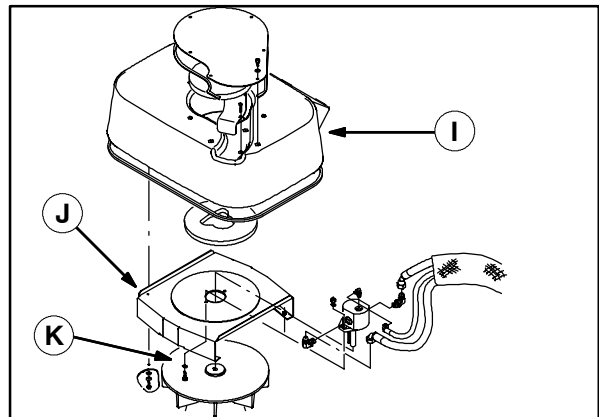


7. Disconnect, remove and set aside the screen guard (G) and vacuum fan screen (H) from inside the debris canister cover.



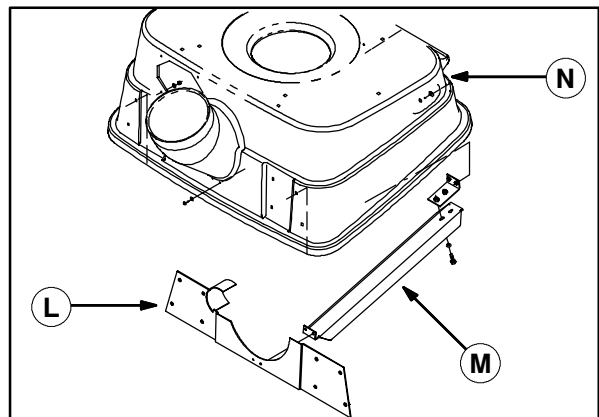
8. Disconnect, remove and set aside the vacuum fan housing (I), fan plate (J) and impeller (K) from the top of the debris canister cover.

NOTE: Leave the hydraulic hoses connected to the motor inside the vacuum fan housing. Set the assembly aside to remove the debris canister.

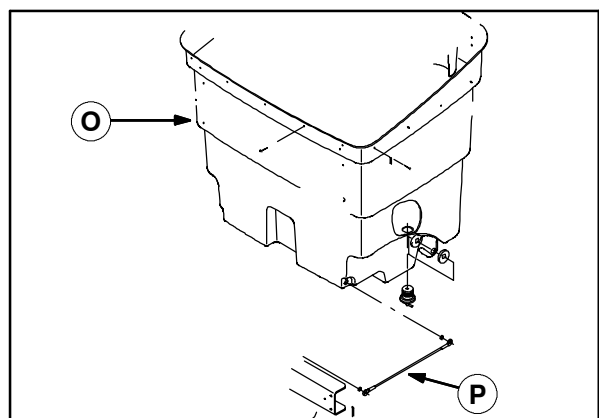


9. Disconnect, remove and set aside the backing plate (L) and brace (M) from inside the top of the debris canister.

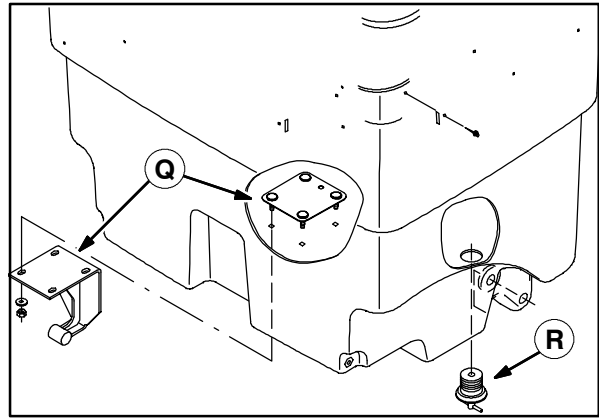
10. Disconnect the old debris canister cover (N) from the hinges. Remove and discard the old debris canister cover (N) from the machine.



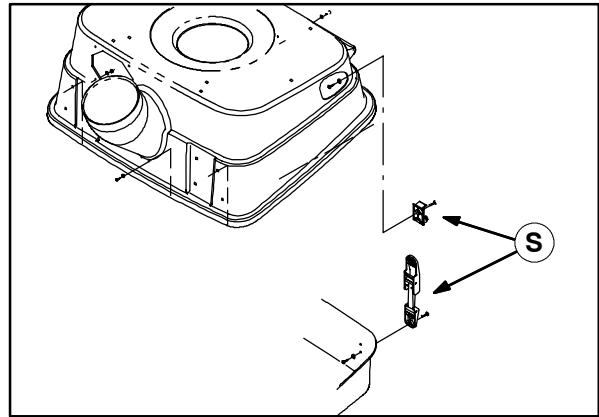
11. Lower the debris canister (O) and disconnect the debris canister cables (P) from each corner of the debris canister. Remove the old debris canister (O) from the machine. Set the old canister and mounting hardware aside.



12. Remove the tank stop bracket assembly (Q) and drain plug (R) from the bottom of the old debris canister. Install the stop bracket assembly (Q) and drain plug (R) in place on the new debris canister (1).



13. Remove the latch assembly pieces (S) from the top and bottom sections of the old debris canister. Install the latch assemblies (S) in place on the new debris canister.



14. Install the new debris canister on the machine in reverse order from removal, installing all set aside hardware and assemblies back into mounting position on the new debris canister.

15. Install new warning labels in position on the new debris canister.

NOTE: If the machine is equipped with a dust filter housing assembly, the new warning labels should be mounted on the sides of the filter housing.



16. Open and close the debris canister to check the stop bracket assembly for proper operation.

17. Reconnect the battery cables to the machine. Start the machine and check the vacuum fan for proper operation.

BILL OF MATERIALS FOR DEBRIS CANISTER KIT 368642

Ref.	TENNANT Part No.	Description	Qty.
1	368639	Kit, housing, canister	1
2	367968	Pane, POLY-C	1
3	367967	Gasket, foam	1
4	32746	Screw, pan, M6 X 1.0 X 35, Ss	4
5	01684	Washer, flat, 0.25 Ss	4
6	08712	Nut, hex, lock, M06 X 1.0, NI, Ss	4
7	367667	Label, hazard sharp objects	1
8	367668	Label, hazard moving fan	1
9	367864	Insulation, acstc	1
10	368177	Bracket, mtg, insulation	2
11	80218	Rivet, blind, 0.188D X 0.66 X 0.38D	6
12	368262	Gasket, cover	1
13	368399	Strip, stiffener, rear	1
14	368404	Rivet, blind, 0.188D X 0.82 X 0.38D	5
15	368408	Bracket, sppt, RH	1
16	368409	Bracket, sppt, LH	1
17	09740	Screw, hex, M08 X 1.25 X 20, Ss	4
18	01685	Washer, flat, 0.31 Ss	4
19	08713	Nut, hex, lock, M08 X 1.25, NL, Ss	4
20	368650	Seal, bulb, 1.0 dia, 123.0 Lg	1
21	48732	Screw, pan, M6 X 1.0 X 10 Ss	16

TENNANT COMPANY
P. O. Box 1452
Minneapolis, MN 55440-1452